

Short-circuits in ES

Short-circuit:

- cross fault, quick emergency change in ES
- the most often fault in ES
- transient events occur during short-circuits

Short-circuit formation:

- fault connection between phases or between phase(s) and the ground in the system with the grounded neutral point

Main causes:

- insulation defect caused by overvoltage
- direct lightning strike
- insulation aging
- direct damage of overhead lines or cables

Short-circuit impacts:

- total impedance of the network affected part decreases
- currents are increasing => so called short-circuit currents I_k
- the voltage decreases near the short-circuit
- I_k impacts causes device heating and power strain
- problems with I_k disconnecting, electrical arc and overvoltage occurred during the short-circuit
- synchronism disruption of ES working in parallel
- communication line disturbing => induced voltages

Note: In short-circuit places transient resistances arise.

- transient resistance is a sum of electrical arc resistance and resistance of other I_k way parts (determination of exact resistances is difficult)
- current and electrical arc length is changing during short-circuit => resistance of electrical arc is also changing

- transient resistances are neglected for I_k calculation (dimensioning of electrical devices) → perfect short-circuits

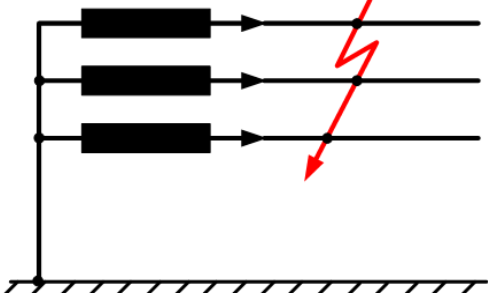
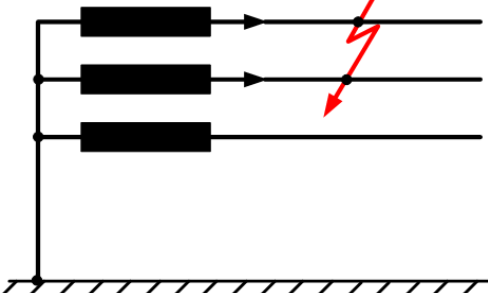
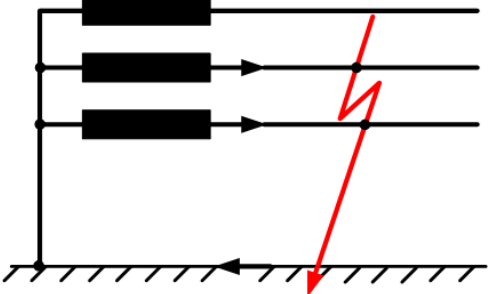
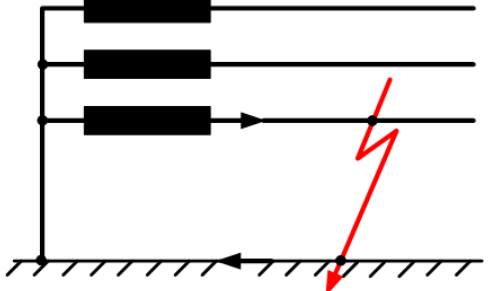
Short-circuits types

Symmetrical short-circuits:

- Three-phase short-circuit => all 3 phases are affected by short-circuit
 - little occurrence in the case of overhead lines
 - the most occurrences in the case of cable lines => other kinds of faults change to 3ph short-circuit due to electrical-arc impact

Unbalanced (asymmetrical) short-circuits:

- phase-to-phase short-circuit
- double-phase-to-ground short-circuit
- single-phase-to-ground short-circuit:
 - in MV a different kind of fault => so called *ground fault*
 - in case of ground fault in MV (insulated or indirectly grounded neutral point) => no change in LV (grounded neutral point)

Short-circuit type	Diagram	Occurrence probability (%)		
		MV	110 kV	220 kV
3ph		5	0,6	0,9
2ph		10	4,8	0,6
2ph to ground		20	3,8	5,4
1ph		*	91	93,1

Short-circuit current time behaviour

$$W_L = \frac{1}{2} Li^2$$

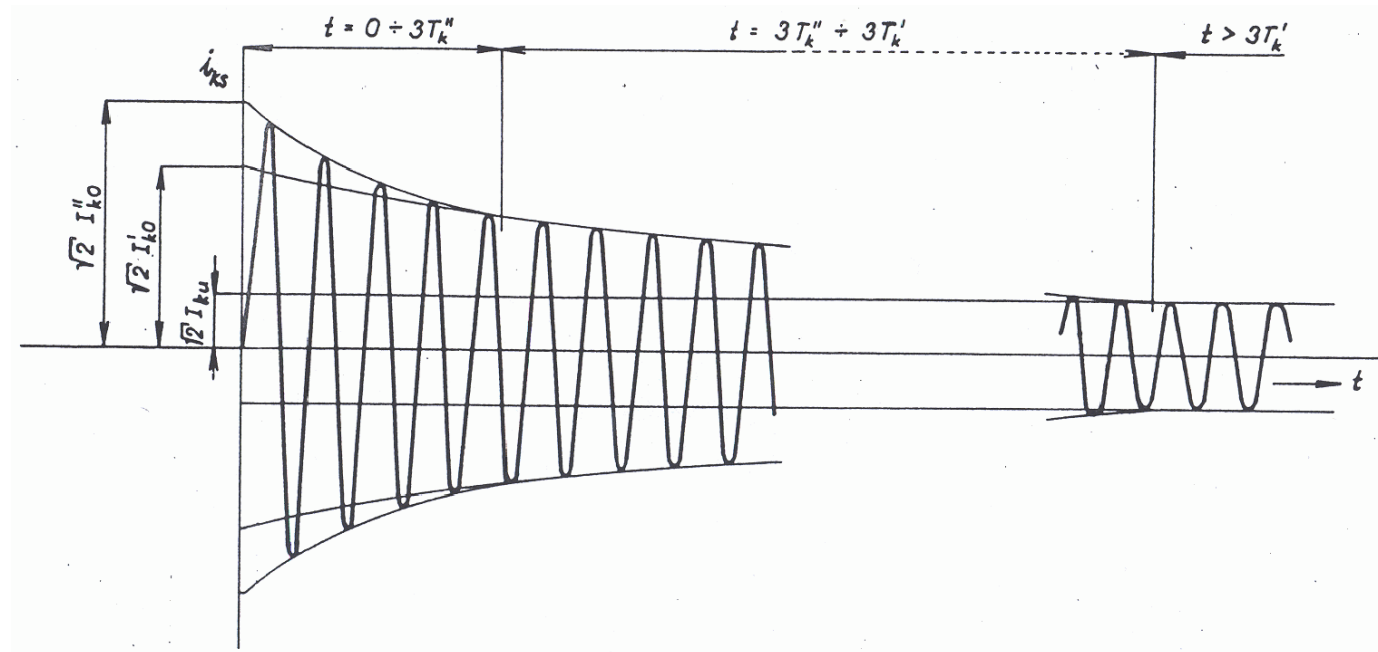
$$P = \frac{dW_L}{dt} < \infty \rightarrow \text{transient event}$$

Time behaviour: open-circuit, resistances neglected
→ reactance, current of inductive character, higher I_k values

Impact of R on I_k attributes:

- finite R values decrease short-circuit impacts
- R neglecting results in time constants prolongation $\tau = L/R$

$U = U_{\max}$ in the short-circuit moment $\rightarrow I_k$ starts from zero (min. value)

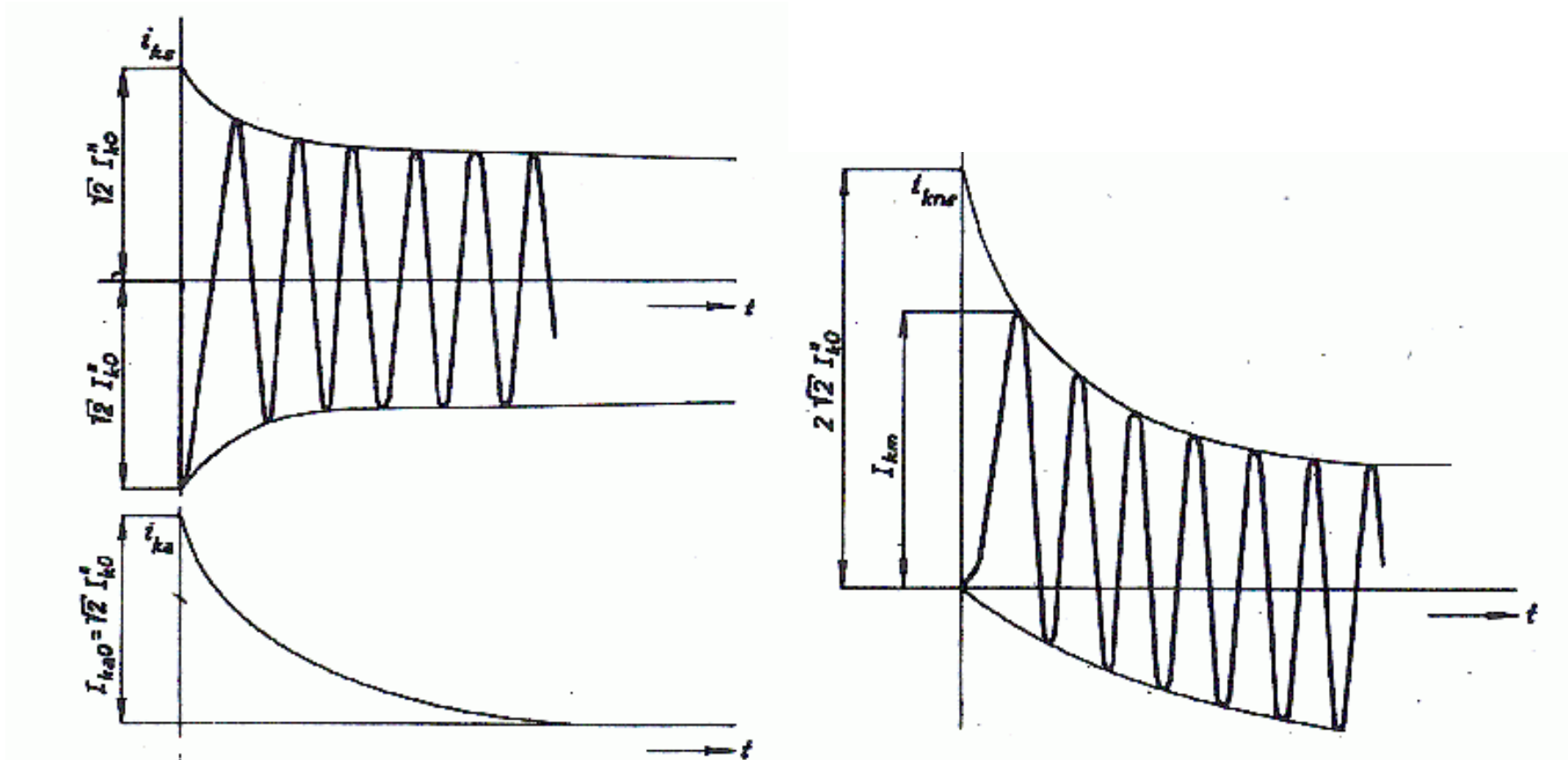


Short-circuit components ($f = 50$ Hz):

- sub-transient – exponential envelope, T_k'' (damping winding)
- transient – exponential envelope, T_k' (field winding)
- steady-state – constant magnitude

It is caused by synchronous machine behaviour during short-circuit \rightarrow more significant during short-circuits near the machine.

$U = 0$ in the short-circuit moment $\rightarrow I_k$ starts from max. value



Values

- symmetrical short-circuit current I_{ks} - steady-state, transient and sub-transient component sum, RMS value
- sub-transient short-circuit current $I_k'' - I_{ks}$ RMS value in the period of sub-transient component $t \doteq (0 \div 3T_k'')$
- initial sub-transient short-circuit current $I_{k0}'' - I_k''$ value in the moment of short-circuit origin $t = 0$
- DC component I_{ka} - disappears exponentially, T_{ka}
- peak short-circuit current I_{km} - the first half-period magnitude during the maximal DC component

Short-circuits in 3ph system

Conversion between phase values and symmetrical components

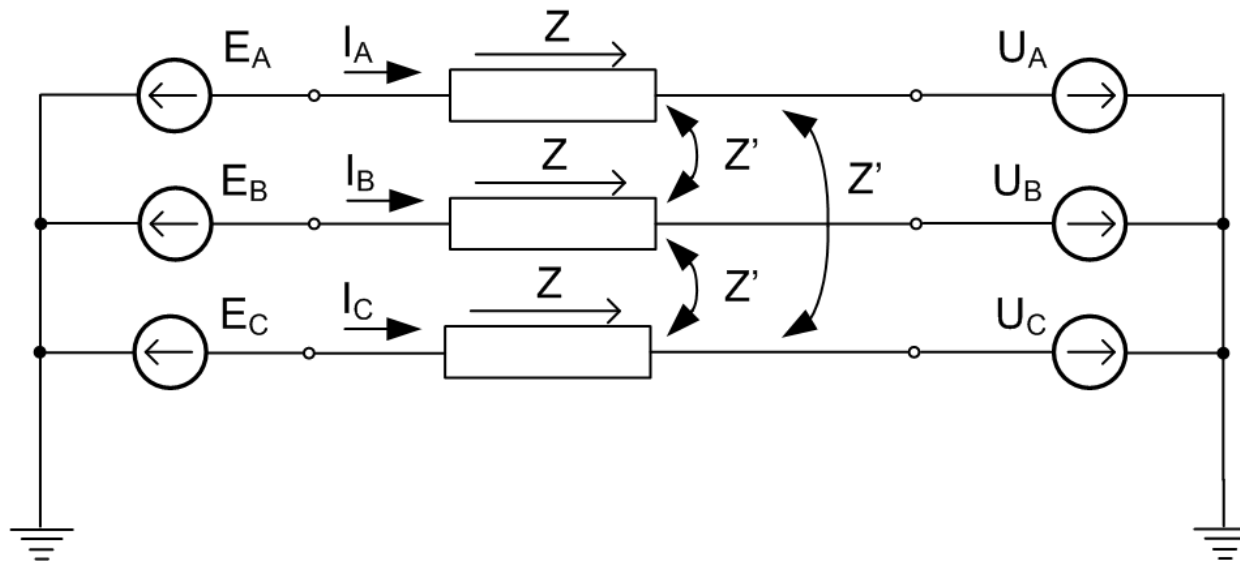
$$\begin{pmatrix} \hat{U}_{ABC} \end{pmatrix} = \begin{pmatrix} \hat{U}_A \\ \hat{U}_B \\ \hat{U}_C \end{pmatrix} = \begin{pmatrix} 1 & 1 & 1 \\ \hat{a}^2 & \hat{a} & 1 \\ \hat{a} & \hat{a}^2 & 1 \end{pmatrix} \begin{pmatrix} \hat{U}_1 \\ \hat{U}_2 \\ \hat{U}_0 \end{pmatrix} = (\mathbf{T})(\mathbf{U}_{120})$$

$$\begin{pmatrix} \mathbf{U}_{120} \end{pmatrix} = \begin{pmatrix} \hat{U}_1 \\ \hat{U}_2 \\ \hat{U}_0 \end{pmatrix} = \frac{1}{3} \begin{pmatrix} 1 & \hat{a} & \hat{a}^2 \\ 1 & \hat{a}^2 & \hat{a} \\ 1 & 1 & 1 \end{pmatrix} \begin{pmatrix} \hat{U}_A \\ \hat{U}_B \\ \hat{U}_C \end{pmatrix} = (\mathbf{T}^{-1})(\mathbf{U}_{ABC})$$

Impedance matrix in symmetrical components (for series sym. segment)

$$\begin{pmatrix} \hat{Z}_{120} \end{pmatrix} = \begin{pmatrix} \hat{Z}_1 & 0 & 0 \\ 0 & \hat{Z}_2 & 0 \\ 0 & 0 & \hat{Z}_0 \end{pmatrix} = \begin{pmatrix} \hat{Z} - \hat{Z}' & 0 & 0 \\ 0 & \hat{Z} - \hat{Z}' & 0 \\ 0 & 0 & \hat{Z} + 2\hat{Z}' \end{pmatrix}$$

3ph system during short-circuit – internal generator voltage E (or U_i)



$$\begin{pmatrix} E_{ABC} \end{pmatrix} = \begin{pmatrix} Z_{ABC} \end{pmatrix} \begin{pmatrix} I_{ABC} \end{pmatrix} + \begin{pmatrix} U_{ABC} \end{pmatrix}$$

Symmetrical system (independent systems 1, 2, 0)

$$\begin{pmatrix} E_{120} \end{pmatrix} = \begin{pmatrix} Z_{120} \end{pmatrix} \begin{pmatrix} I_{120} \end{pmatrix} + \begin{pmatrix} U_{120} \end{pmatrix}$$

$$\hat{E}_1 = \hat{Z}_1 \hat{I}_1 + \hat{U}_1$$

$$\hat{E}_2 = \hat{Z}_2 \hat{I}_2 + \hat{U}_2$$

$$\hat{E}_0 = \hat{Z}_0 \hat{I}_0 + \hat{U}_0$$

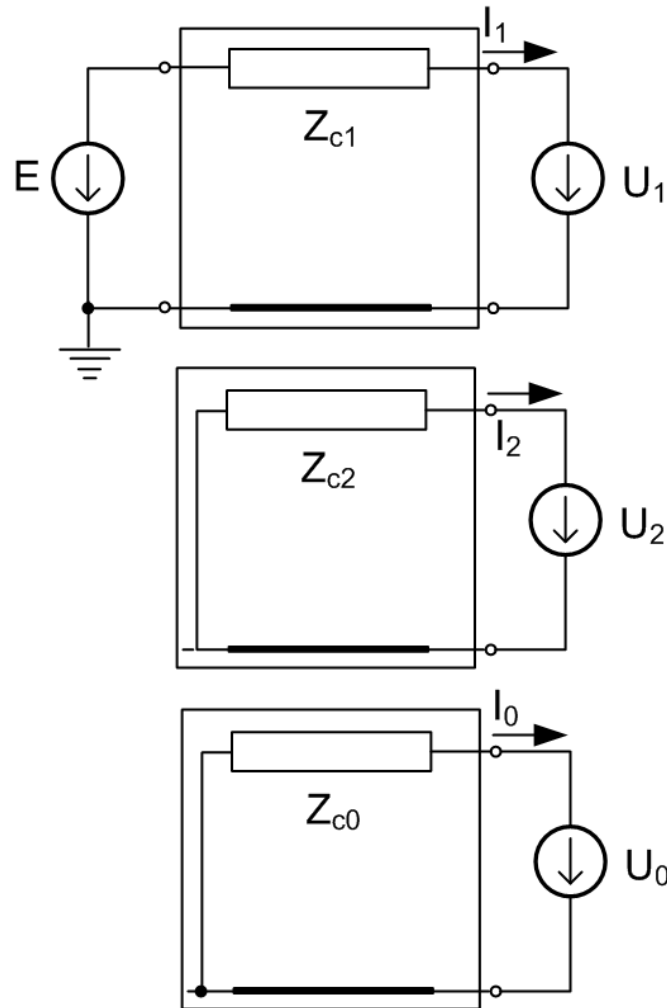
Generator symmetrical voltage → only positive sequence component
 Reference phase A:

$$(\hat{E}_{120}) = (T^{-1})(E_{ABC}) = \frac{1}{3} \begin{pmatrix} 1 & \hat{a} & \hat{a}^2 \\ 1 & \hat{a}^2 & \hat{a} \\ 1 & 1 & 1 \end{pmatrix} \begin{pmatrix} \hat{E}_A \\ \hat{a}^2 \hat{E}_A \\ \hat{a} \hat{E}_A \end{pmatrix} = \begin{pmatrix} \hat{E}_A \\ 0 \\ 0 \end{pmatrix} = \begin{pmatrix} \hat{E} \\ 0 \\ 0 \end{pmatrix}$$

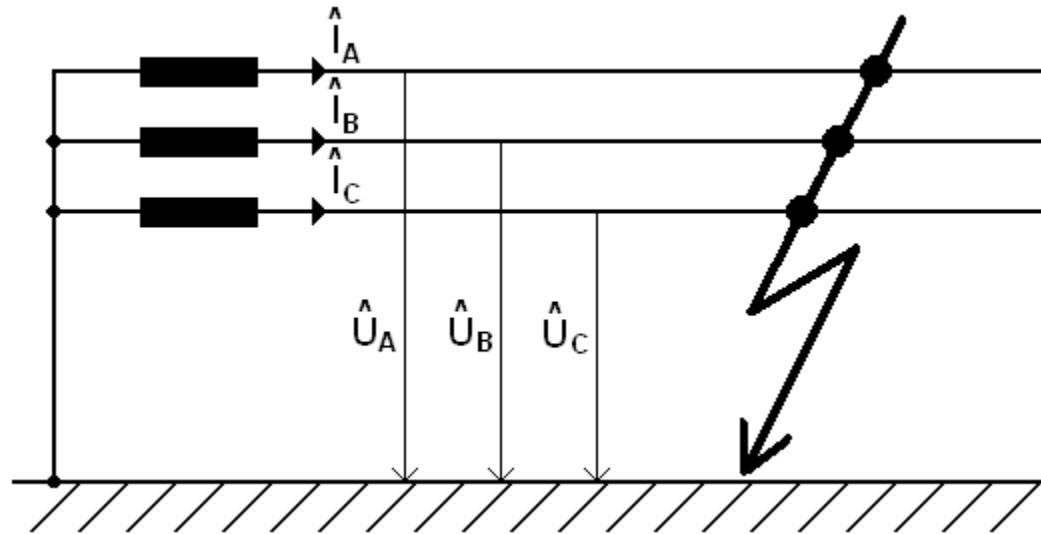
$$\begin{pmatrix} \hat{E}_1 \\ \hat{E}_2 \\ \hat{E}_0 \end{pmatrix} = \begin{pmatrix} \hat{E} \\ 0 \\ 0 \end{pmatrix} = \begin{pmatrix} \hat{Z}_1 & 0 & 0 \\ 0 & \hat{Z}_2 & 0 \\ 0 & 0 & \hat{Z}_0 \end{pmatrix} \begin{pmatrix} \hat{I}_1 \\ \hat{I}_2 \\ \hat{I}_0 \end{pmatrix} + \begin{pmatrix} \hat{U}_1 \\ \hat{U}_2 \\ \hat{U}_0 \end{pmatrix}$$

Negative and zero sequence are caused by voltage unbalance in the faulted place.

In the fault point 6 quantities (U_{120}, I_{120}) \rightarrow 3 equations necessary to be added by other 3 equations according to the short-circuit type (local unbalance description).



Three-phase (to-ground) short-circuit



3 char. equations

$$\hat{U}_A = \hat{U}_B = \hat{U}_C = 0$$

Components

$$(\mathbf{U}_{120}) = (\mathbf{T}^{-1})(\mathbf{U}_{ABC}) = \frac{1}{3} \begin{pmatrix} 1 & \hat{a} & \hat{a}^2 \\ 1 & \hat{a}^2 & \hat{a} \\ 1 & 1 & 1 \end{pmatrix} \begin{pmatrix} 0 \\ 0 \\ 0 \end{pmatrix} = \begin{pmatrix} 0 \\ 0 \\ 0 \end{pmatrix}$$

$$\hat{U}_1 = \hat{U}_2 = \hat{U}_0 = 0$$

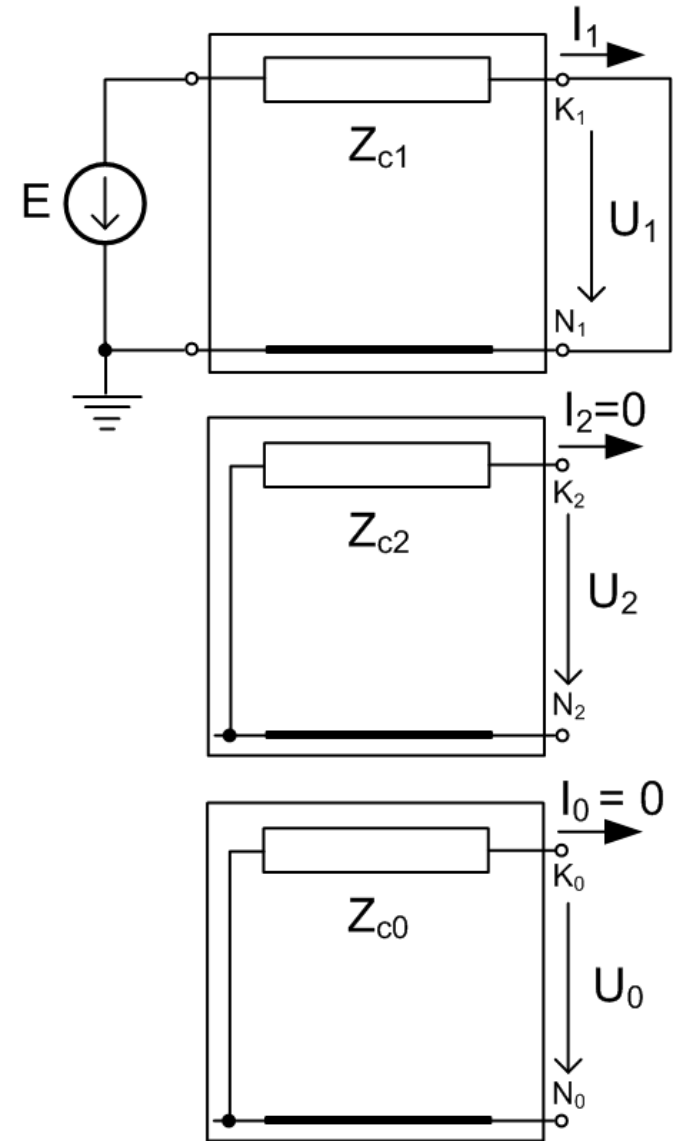
$$\hat{I}_1 = \frac{\hat{E}}{\hat{Z}_1}; \quad \hat{I}_2 = 0; \quad \hat{I}_0 = 0$$

Phases

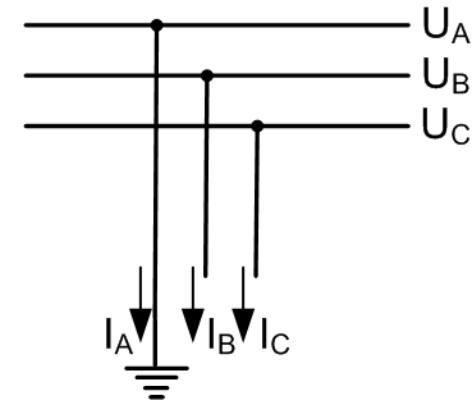
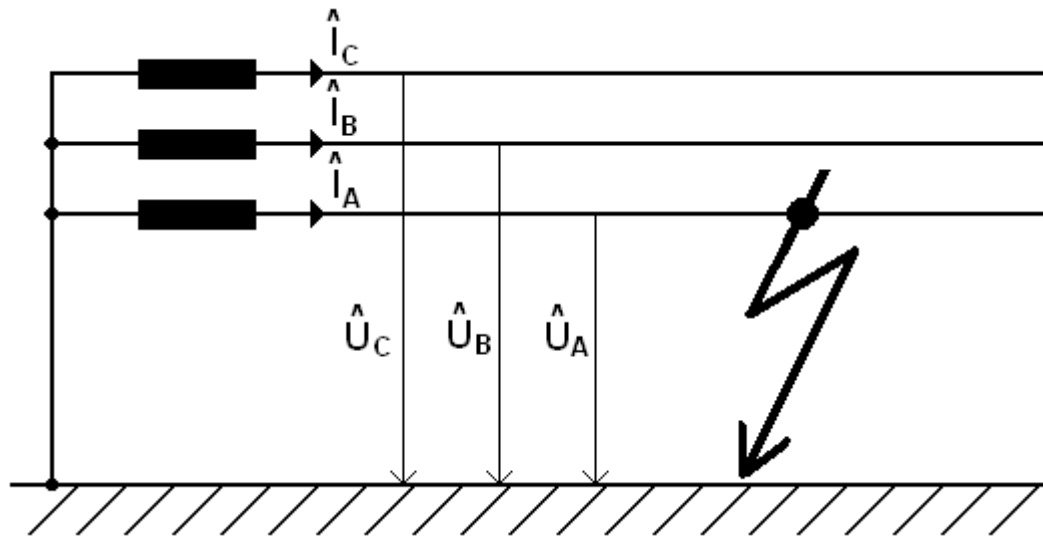
$$(\mathbf{I}_{ABC}) = (\mathbf{T})(\mathbf{I}_{120})$$

$$\hat{I}_A = \frac{\hat{E}}{\hat{Z}_1}; \quad \hat{I}_B = \hat{a}^2 \frac{\hat{E}}{\hat{Z}_1}; \quad \hat{I}_C = \hat{a} \frac{\hat{E}}{\hat{Z}_1}$$

Only the positive-sequence component included.



Single-phase-to-ground short-circuit



3 char. equations

$$\hat{U}_A = 0; \hat{I}_B = \hat{I}_C = 0$$

Components

$$(\mathbf{I}_{120}) = (\mathbf{T}^{-1})(\mathbf{I}_{ABC}) = \frac{1}{3} \begin{pmatrix} 1 & \hat{a} & \hat{a}^2 \\ 1 & \hat{a}^2 & \hat{a} \\ 1 & 1 & 1 \end{pmatrix} \begin{pmatrix} \hat{I}_A \\ 0 \\ 0 \end{pmatrix} = \frac{1}{3} \begin{pmatrix} \hat{I}_A \\ \hat{I}_A \\ \hat{I}_A \end{pmatrix}$$

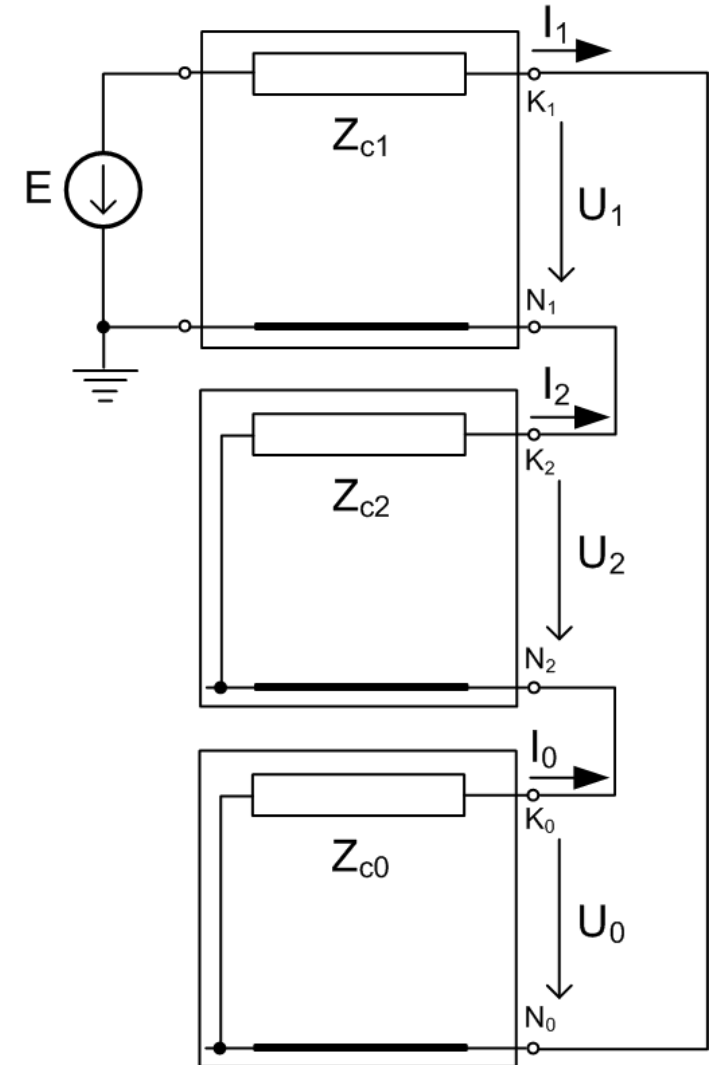
$$\hat{I}_1 = \hat{I}_2 = \hat{I}_0 = \frac{\hat{E}}{\hat{Z}_1 + \hat{Z}_2 + \hat{Z}_0}$$

$$\hat{U}_1 = (\hat{Z}_0 + \hat{Z}_2)\hat{I}_1$$

$$\hat{U}_2 = -\hat{Z}_2\hat{I}_1$$

$$\hat{U}_0 = -\hat{Z}_0\hat{I}_1$$

All three components are in series.



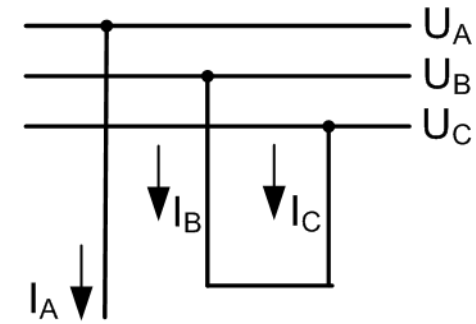
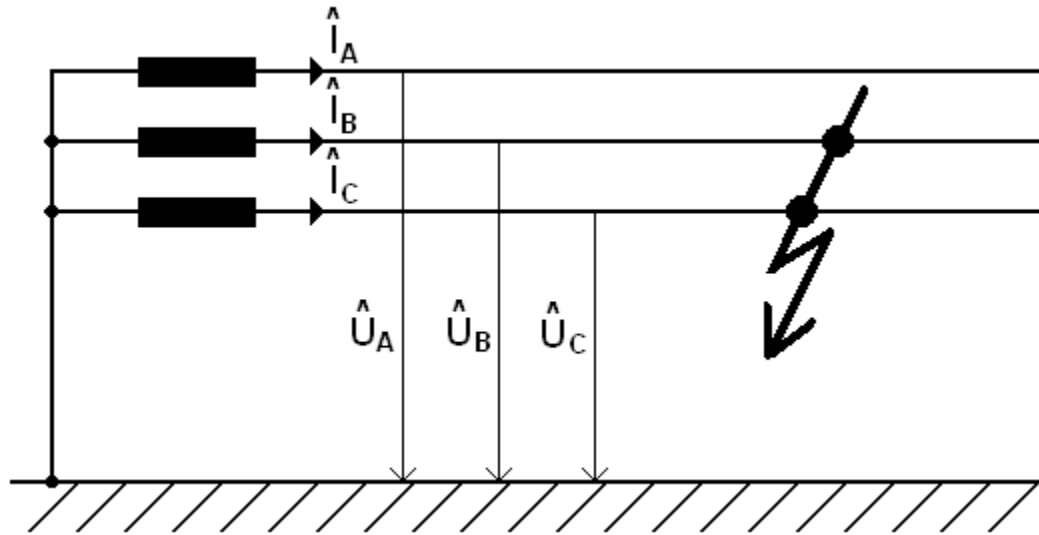
Phases

$$(\mathbf{I}_{ABC}) = (\mathbf{T})(\mathbf{I}_{120}) = \begin{pmatrix} 1 & 1 & 1 \\ \hat{a}^2 & \hat{a} & 1 \\ \hat{a} & \hat{a}^2 & 1 \end{pmatrix} \begin{pmatrix} \hat{\mathbf{I}}_1 \\ \hat{\mathbf{I}}_1 \\ \hat{\mathbf{I}}_1 \end{pmatrix} = \begin{pmatrix} 3\hat{\mathbf{I}}_1 \\ 0 \\ 0 \end{pmatrix}$$

$$\hat{\mathbf{I}}_A = \frac{3\hat{\mathbf{E}}}{\hat{\mathbf{Z}}_1 + \hat{\mathbf{Z}}_2 + \hat{\mathbf{Z}}_0}; \quad \hat{\mathbf{I}}_B = 0; \quad \hat{\mathbf{I}}_C = 0$$

$$(\mathbf{U}_{ABC}) = (\mathbf{T})(\mathbf{U}_{120}) = \begin{pmatrix} 1 & 1 & 1 \\ \hat{a}^2 & \hat{a} & 1 \\ \hat{a} & \hat{a}^2 & 1 \end{pmatrix} \begin{pmatrix} (\hat{\mathbf{Z}}_0 + \hat{\mathbf{Z}}_2)\hat{\mathbf{I}}_1 \\ -\hat{\mathbf{Z}}_2\hat{\mathbf{I}}_1 \\ -\hat{\mathbf{Z}}_0\hat{\mathbf{I}}_1 \end{pmatrix} = \begin{pmatrix} 0 \\ (\hat{a}^2 - \hat{a})\hat{\mathbf{Z}}_2 + (\hat{a}^2 - 1)\hat{\mathbf{Z}}_0 \\ (\hat{a} - \hat{a}^2)\hat{\mathbf{Z}}_2 + (\hat{a} - 1)\hat{\mathbf{Z}}_0 \end{pmatrix} \hat{\mathbf{I}}_1$$

Phase-to-phase short-circuit



3 char. equations

$$\hat{U}_B = \hat{U}_C; \hat{I}_B = -\hat{I}_C; \hat{I}_A = 0$$

Components

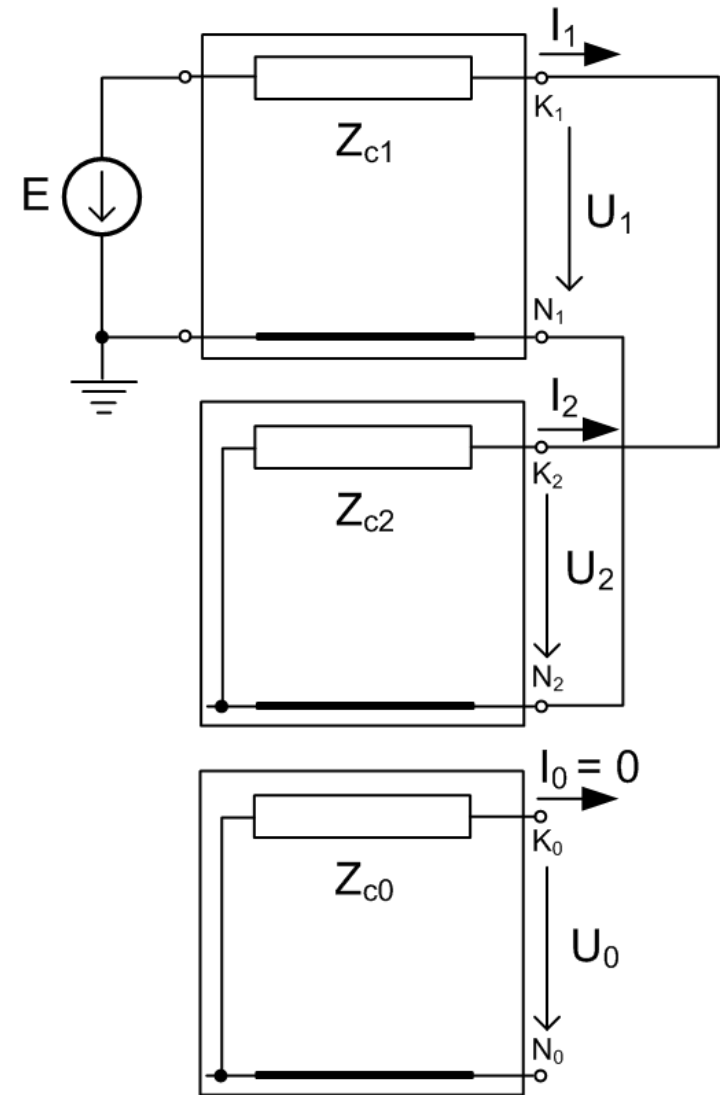
$$(\mathbf{I}_{120}) = \frac{1}{3} \begin{pmatrix} 1 & \hat{a} & \hat{a}^2 \\ 1 & \hat{a}^2 & \hat{a} \\ 1 & 1 & 1 \end{pmatrix} \begin{pmatrix} 0 \\ \hat{I}_B \\ -\hat{I}_B \end{pmatrix} = \frac{1}{3} \begin{pmatrix} j\sqrt{3}\hat{I}_B \\ -j\sqrt{3}\hat{I}_B \\ 0 \end{pmatrix}$$

$$\hat{I}_1 = \frac{\hat{E}}{\hat{Z}_1 + \hat{Z}_2}; \quad \hat{I}_2 = -\hat{I}_1; \quad \hat{I}_0 = 0$$

$$\hat{U}_1 = \hat{U}_2 = \frac{\hat{Z}_2 \cdot \hat{E}}{\hat{Z}_1 + \hat{Z}_2} = \hat{Z}_2 \cdot \hat{I}_1$$

$$\hat{U}_0 = 0$$

Positive and negative components in parallel.



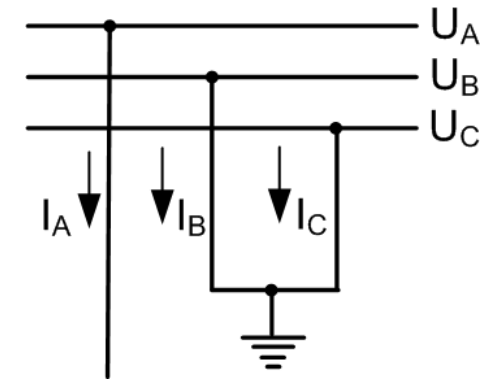
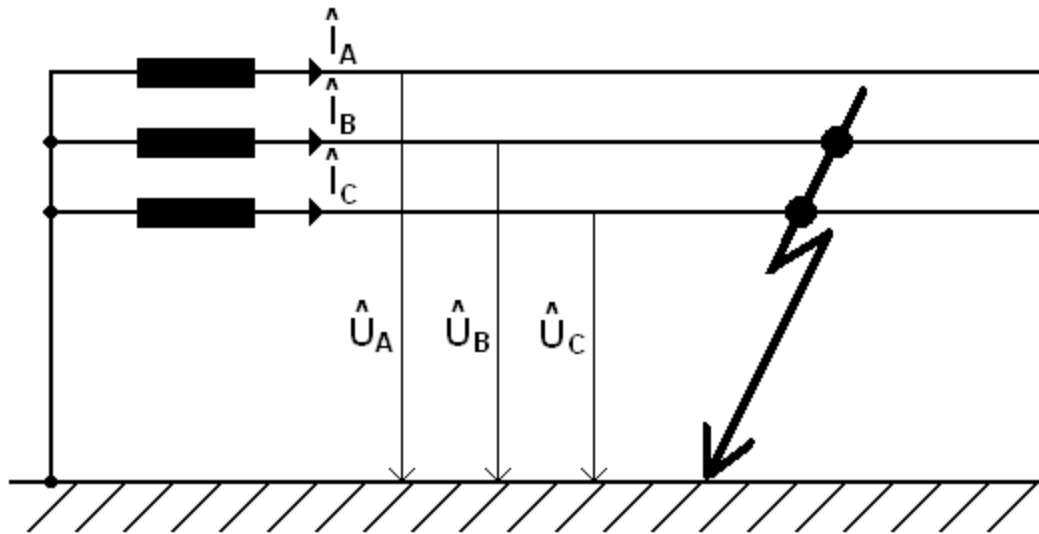
Phases

$$(\mathbf{I}_{ABC}) = (\mathbf{T})(\mathbf{I}_{120}) = \begin{pmatrix} 1 & 1 & 1 \\ \hat{a}^2 & \hat{a} & 1 \\ \hat{a} & \hat{a}^2 & 1 \end{pmatrix} \begin{pmatrix} \hat{I}_1 \\ -\hat{I}_1 \\ 0 \end{pmatrix} = \begin{pmatrix} 0 \\ -j\sqrt{3}\hat{I}_1 \\ j\sqrt{3}\hat{I}_1 \end{pmatrix}$$

$$\hat{I}_A = 0; \quad \hat{I}_B = \frac{-j\sqrt{3}\hat{E}}{\hat{Z}_1 + \hat{Z}_2}; \quad \hat{I}_C = \frac{j\sqrt{3}\hat{E}}{\hat{Z}_1 + \hat{Z}_2}$$

$$(\mathbf{U}_{ABC}) = (\mathbf{T})(\mathbf{U}_{120}) = \begin{pmatrix} 1 & 1 & 1 \\ \hat{a}^2 & \hat{a} & 1 \\ \hat{a} & \hat{a}^2 & 1 \end{pmatrix} \begin{pmatrix} \hat{U}_1 \\ \hat{U}_1 \\ 0 \end{pmatrix} = \begin{pmatrix} 2\hat{U}_1 \\ -\hat{U}_1 \\ -\hat{U}_1 \end{pmatrix} = \begin{pmatrix} 2\hat{Z}_2 \cdot \hat{I}_1 \\ -\hat{Z}_2 \cdot \hat{I}_1 \\ -\hat{Z}_2 \cdot \hat{I}_1 \end{pmatrix}$$

Double-phase-to-ground short-circuit



3 char. equations

$$\hat{U}_B = \hat{U}_C = 0; \hat{I}_A = 0$$

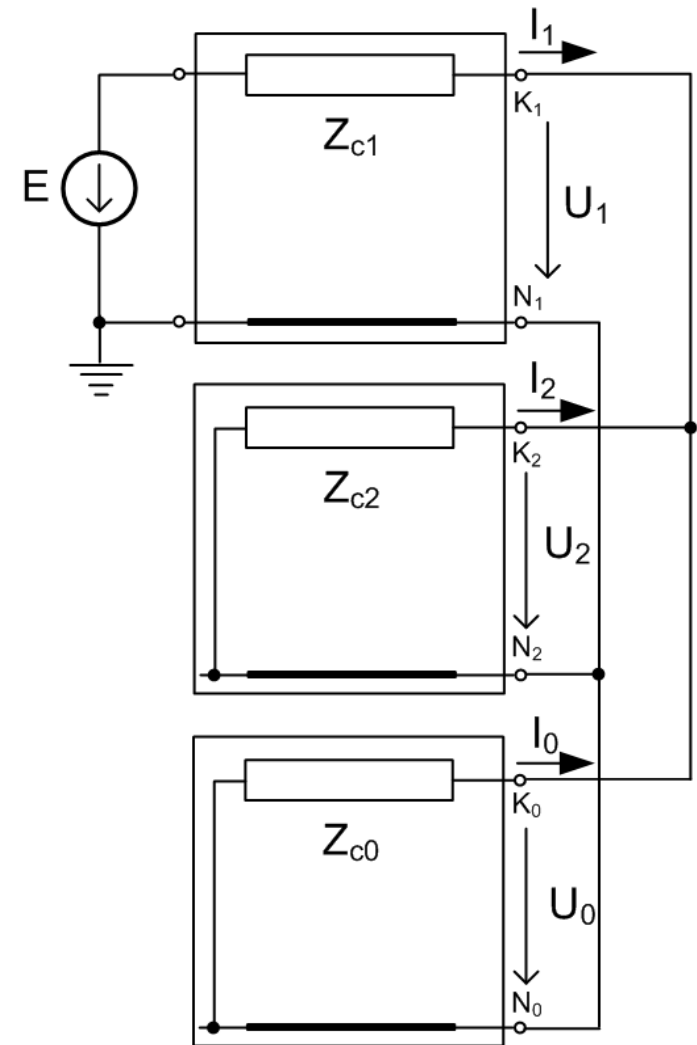
Components

$$(\mathbf{U}_{120}) = \frac{1}{3} \begin{pmatrix} 1 & \hat{a} & \hat{a}^2 \\ 1 & \hat{a}^2 & \hat{a} \\ 1 & 1 & 1 \end{pmatrix} \begin{pmatrix} \hat{U}_A \\ 0 \\ 0 \end{pmatrix} = \frac{1}{3} \begin{pmatrix} \hat{U}_A \\ \hat{U}_A \\ \hat{U}_A \end{pmatrix}$$

$$\hat{I}_1 = \frac{\hat{E}}{\hat{Z}_1 + \frac{\hat{Z}_0 \hat{Z}_2}{\hat{Z}_0 + \hat{Z}_2}}$$

$$\hat{I}_2 = -\frac{\hat{Z}_0}{\hat{Z}_0 + \hat{Z}_2} \hat{I}_1; \quad \hat{I}_0 = -\frac{\hat{Z}_2}{\hat{Z}_0 + \hat{Z}_2} \hat{I}_1$$

$$\hat{U}_1 = \hat{U}_2 = \hat{U}_0 = \frac{\hat{E} \frac{\hat{Z}_0 \hat{Z}_2}{\hat{Z}_0 + \hat{Z}_2}}{\hat{Z}_1 + \frac{\hat{Z}_0 \hat{Z}_2}{\hat{Z}_0 + \hat{Z}_2}}$$



All three components are in parallel.

Phases

$$(\mathbf{I}_{ABC}) = (\mathbf{T})(\mathbf{I}_{120})$$

$$\hat{\mathbf{I}}_B = \frac{\hat{\mathbf{E}}(\hat{\mathbf{Z}}_0(\hat{\mathbf{a}}^2 - \hat{\mathbf{a}}) + \hat{\mathbf{Z}}_2(\hat{\mathbf{a}}^2 - 1))}{\hat{\mathbf{Z}}_1\hat{\mathbf{Z}}_2 + \hat{\mathbf{Z}}_0\hat{\mathbf{Z}}_1 + \hat{\mathbf{Z}}_0\hat{\mathbf{Z}}_2}$$

$$\hat{\mathbf{I}}_C = \frac{\hat{\mathbf{E}}(\hat{\mathbf{Z}}_0(\hat{\mathbf{a}} - \hat{\mathbf{a}}^2) + \hat{\mathbf{Z}}_2(\hat{\mathbf{a}} - 1))}{\hat{\mathbf{Z}}_1\hat{\mathbf{Z}}_2 + \hat{\mathbf{Z}}_0\hat{\mathbf{Z}}_1 + \hat{\mathbf{Z}}_0\hat{\mathbf{Z}}_2}$$

$$(\mathbf{U}_{ABC}) = (\mathbf{T})(\mathbf{U}_{120}) = \begin{pmatrix} 1 & 1 & 1 \\ \hat{\mathbf{a}}^2 & \hat{\mathbf{a}} & 1 \\ \hat{\mathbf{a}} & \hat{\mathbf{a}}^2 & 1 \end{pmatrix} \begin{pmatrix} \hat{\mathbf{U}}_1 \\ \hat{\mathbf{U}}_1 \\ \hat{\mathbf{U}}_1 \end{pmatrix} = \begin{pmatrix} 3\hat{\mathbf{U}}_1 \\ 0 \\ 0 \end{pmatrix}$$

Components during short-circuit:

3ph	positive
2ph	positive, negative
2ph ground	positive, negative, zero
1ph	positive, negative, zero

Short-circuits calculation by means of relative values

Relative values – related to a defined base.

base power (3ph)	S_v (VA)
base voltage (phase-to-phase)	U_v (V)
base current	I_v (A)
base impedance	Z_v (Ω)

$$S_v = \sqrt{3}U_v I_v$$

$$Z_v = \frac{U_{vf}}{I_v}$$

Relative impedance

$$z = \frac{Z}{Z_v} = \frac{Z}{\frac{U_{vf}}{I_v}} = Z \frac{I_v}{U_{vf}} \frac{3U_{vf}}{3U_{vf}} = Z \frac{S_v}{3U_{vf}^2} = Z \frac{S_v}{U_v^2}$$

Initial sub-transient short-circuit current (3ph short-circuit)

$$I''_{k0} = |\hat{I}_A| = \frac{|\hat{U}_f|}{|\hat{Z}_1|}$$

$$Z_1 = z_1 \frac{U_v^2}{S_v}$$

$$I''_{k0} = \frac{\frac{U_v}{\sqrt{3}}}{z_1 \frac{U_v^2}{S_v}} = \frac{1}{z_1} \frac{S_v}{\sqrt{3}U_v} = \frac{1}{z_1} I_v$$

Initial sub-transient short-circuit power

$$S''_{k0} = \sqrt{3}U_v I''_{k0} = \sqrt{3}U_v \frac{I_v}{z_1} = \frac{1}{z_1} S_v$$

Similarly for

1ph short-circuit

$$I_{k0}''^{(1)} = \frac{3}{Z_1 + Z_2 + Z_0} I_v$$

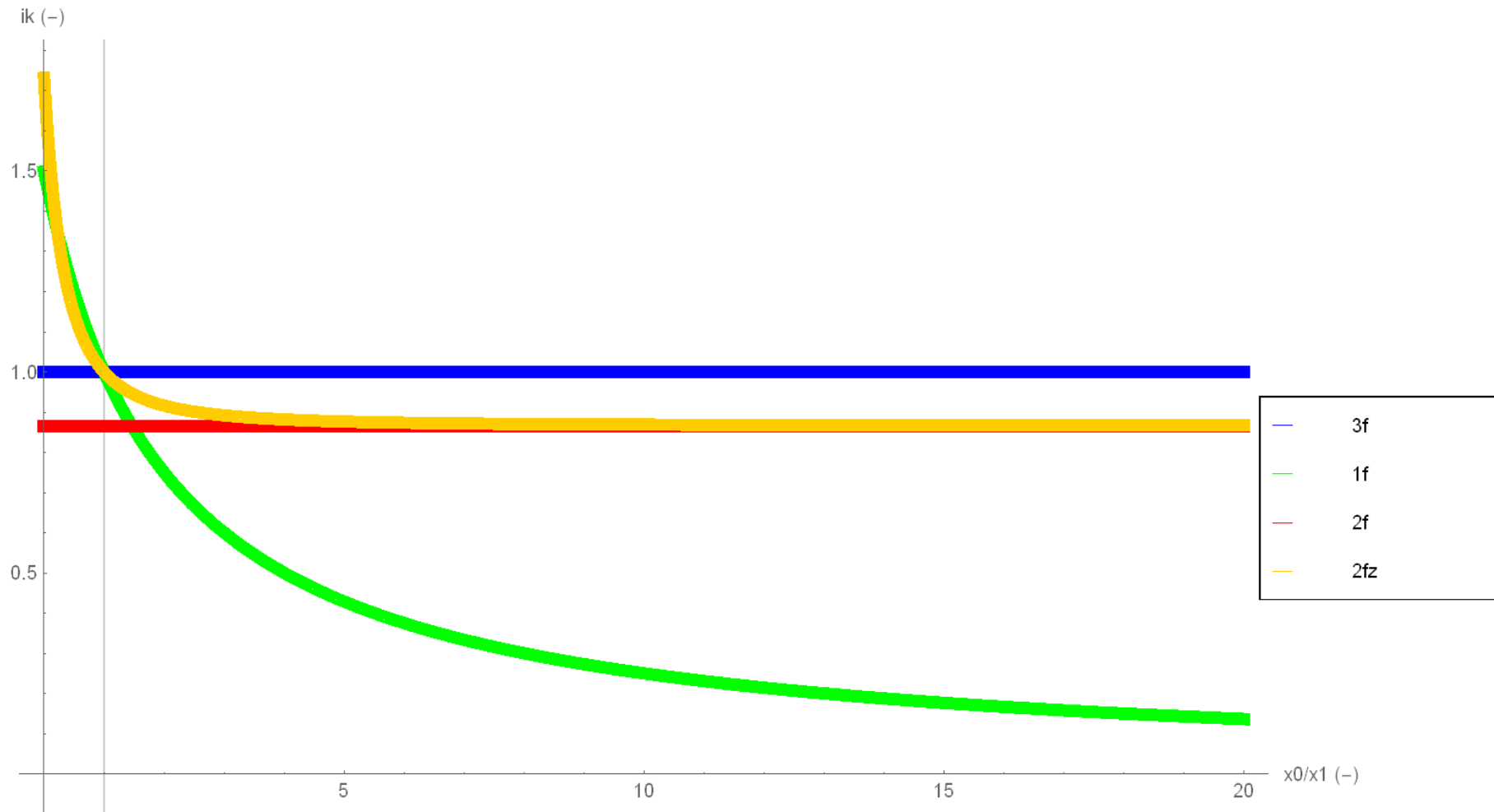
2ph short-circuit

$$I_{k0}''^{(2)} = \frac{\sqrt{3}}{Z_1 + Z_2} I_v$$

Note: Sometimes it is respected generator loading, more precisely higher internal generator voltage than nominal one.

$$I_{k0}'' = k \frac{1}{Z_1} I_v$$

$$k > 1$$



$$I_k^{(1)} = (0 \div 1,5) I_k^{(3)} \quad I_k^{(2)} = \frac{\sqrt{3}}{2} I_k^{(3)} \quad I_k^{(2z)} = \left(\frac{\sqrt{3}}{2} \div \sqrt{3} \right) I_k^{(3)}$$

Short-circuit currents impacts

Mechanical impacts

Influence mainly at tightly placed stiff conductors, supporting insulators, disconnectors, construction elements,...

Forces frequency $2f$ at AC \rightarrow dynamic strain.

Force on the conductor in magnetic field

$$F = B \cdot I \cdot l \cdot \sin \alpha \quad (\text{N})$$

$$B = \mu \cdot H \quad (\text{T})$$

$$\mu_0 = 4\pi \cdot 10^{-7} \quad (\text{H/m})$$

α – angle between mag. induction vector and the conductor axis
(current direction)

Magnetic field intensity in the distance a from the conductor

$$H = \frac{I}{2\pi a} \quad (\text{A/m})$$

2 parallel conductors → force perpendicular to the conductor axis
($\sin \alpha = 1$) → it is the biggest

$$F = 4\pi \cdot 10^{-7} \frac{I}{2\pi a} I \cdot 1 = 2 \cdot 10^{-7} \frac{I^2}{a} \quad (\text{N})$$

The highest force corresponds to the highest immediate current value
→ peak short-circuit current I_{km} (1st magnitude after s.-c. origin)

$$\underline{I_{km} = \sqrt{2} I''_{k0} \left(1 + e^{-0,01/T_k}\right) = \kappa \sqrt{2} I''_{k0} \quad (\text{A})}$$

κ – peak coefficient according to grid type ($\kappa_{LV} = 1,8$; $\kappa_{HV} = 1,7$)
theoretical range $\kappa = 1 \div 2$

T_k – time constant of equivalent short-circuit loop (L_e/R_e)
i.e. for DC component of short-circuit current

I''_{k0} - initial sub-transient short-circuit current

Real value differs according to the short-circuit origin moment.
AC component decreasing slower than for DC therefore neglected.

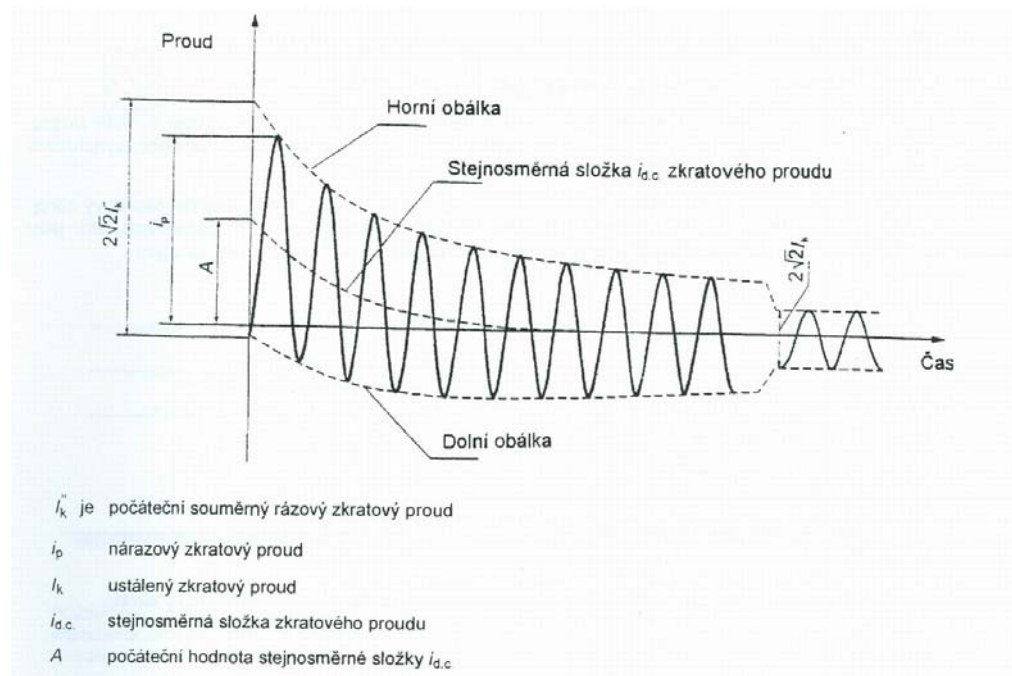
Max. instantaneous force on the conductor length unit

$$f = 2 \cdot k_1 \cdot k_2 \cdot 10^{-7} \frac{I_{\text{km}}^2}{a} \quad (\text{N/m})$$

k_1 – conductor shape coefficient

k_2 – conductors configuration and currents phase shift coefficient

a – conductors distance



Heat impacts

Key for dimensioning mainly at freely placed conductors.

They are given by heat accumulation influenced by time-changing current during short-circuit time t_k (adiabatic phenomenon).

Heat produced in conductors

$$Q = \int_0^{t_k} R(\vartheta) \cdot i_k^2(t) dt \quad (\text{J})$$

Thermal equivalent current – current RMS value which has the same heating effect in the short-circuit duration time as the real short-circuit current

$$I_{ke}^2 t_k = \int_0^{t_k} i_k^2(t) dt$$
$$I_{ke} = \sqrt{\frac{1}{t_k} \int_0^{t_k} i_k^2(t) dt} \quad (\text{A})$$

Calculation according to k_e coefficient as I_k'' multiple

$$I_{ke} = k_e I_k''$$

Ground fault in three-phase systems

MV grids without a directly grounded neutral point (distribution systems)
→ single-phase ground fault has a different character than short-circuits
(small capacitive current).

Fault current proportional to the system extent.

$I_p > 5 \text{ A}$ → arc formation → conductors, towers, insulators burning →
→ 2ph, 3ph short-circuits (mainly at cables)

GF compensation → uninterrupted system operation (until the failure clearance, short supply break), arc self-extinguishing

Ground fault

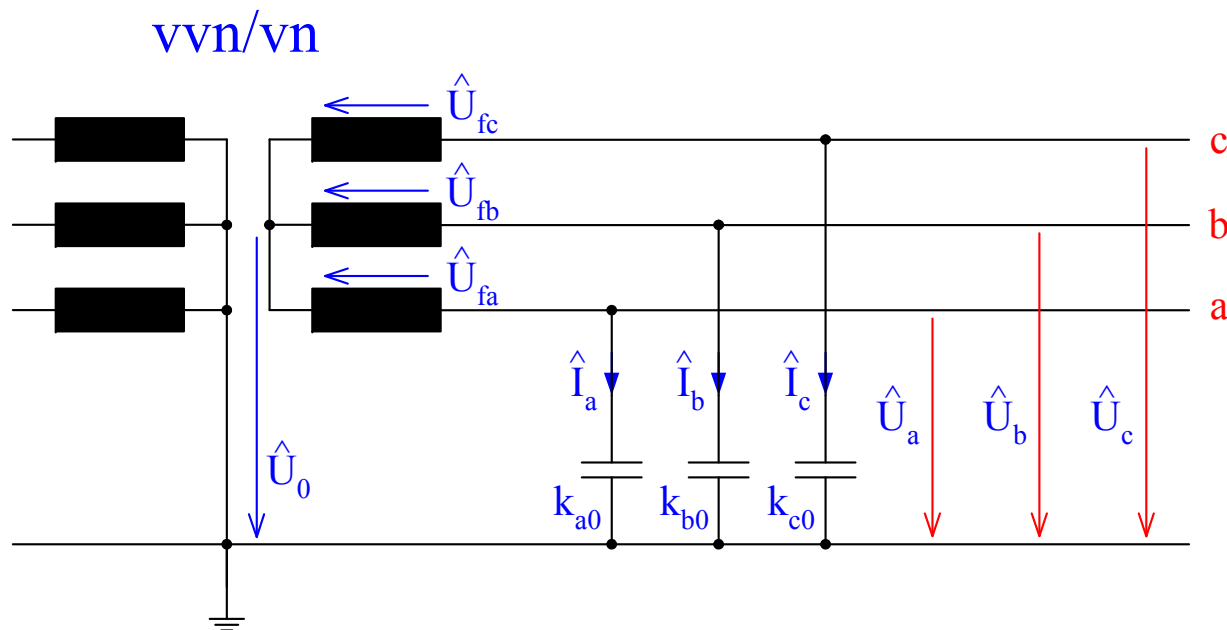
- resistive ($100x \Omega$), metal and arc ($x \Omega$)

Conditions in a system with insulated neutral point

Assumptions: considered only capacities to the ground, symmetrical source voltage, open-circuit system

Insulated neutral point – systems of a small extent, $I_p < 10 \text{ A}$

Before the fault



$$\hat{U}_{a,b,c} - \hat{U}_0 - \hat{U}_{fa,b,c} = 0$$

$$\hat{I}_{a,b,c} = j\omega k_{a,b,c0} \hat{U}_{a,b,c}$$

System with insulated neutral point

$$\hat{I}_a + \hat{I}_b + \hat{I}_c = 0$$

Symmetrical source

$$\hat{U}_{fb} = \hat{a}^2 \hat{U}_{fa}, \quad \hat{U}_{fc} = \hat{a} \hat{U}_{fa}$$

Neutral point voltage

$$\hat{U}_0 = -\frac{k_{a0} + \hat{a}^2 k_{b0} + \hat{a} k_{c0}}{k_{a0} + k_{b0} + k_{c0}} \hat{U}_{fa}$$

Unbalanced capacities

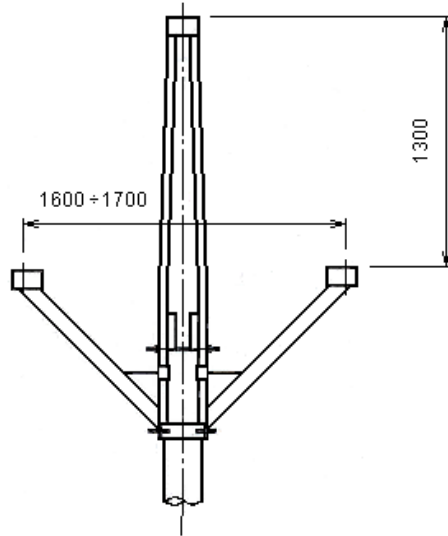
$$\hat{U}_0 \neq 0$$

Symmetrical capacities

$$k_{a0} = k_{b0} = k_{c0} = k_0 \Rightarrow \hat{U}_0 = 0$$

Ex.: 2 tower terminals 22 kV, $l = 50$ km

“Talon”



$$k_{a0} = k_{c0} = 4,16 \text{ nF / km}$$

$$k_{b0} = 4,00 \text{ nF / km} \quad (\Delta = 3,8 \%)$$

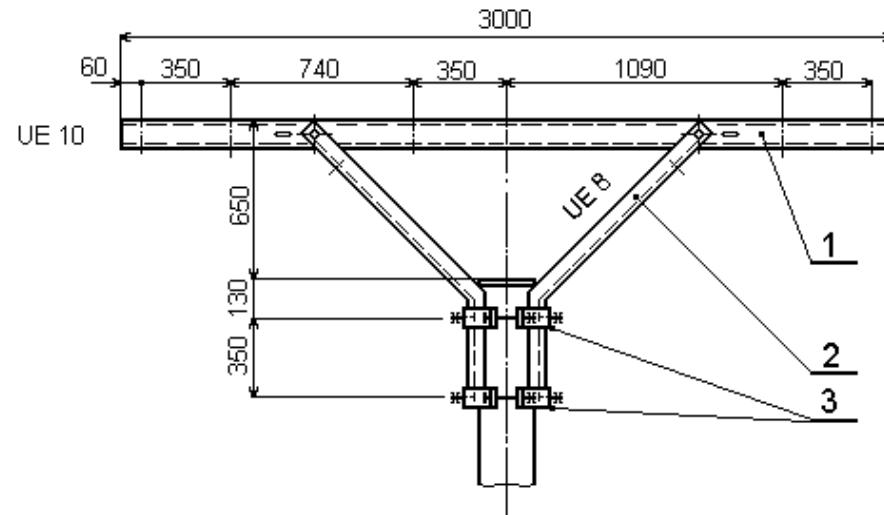
$$U_0 = 165 \text{ V} \quad (1,3 \%)$$

$$U_a = U_c = 12620 \text{ V}$$

$$U_b = 12867 \text{ V}$$

$$U_{fn} = 12702 \text{ V}$$

Horizontal



$$k_{a0} = k_{c0} = 4,48 \text{ nF / km}$$

$$k_{b0} = 3,90 \text{ nF / km} \quad (\Delta = 12,9 \%)$$

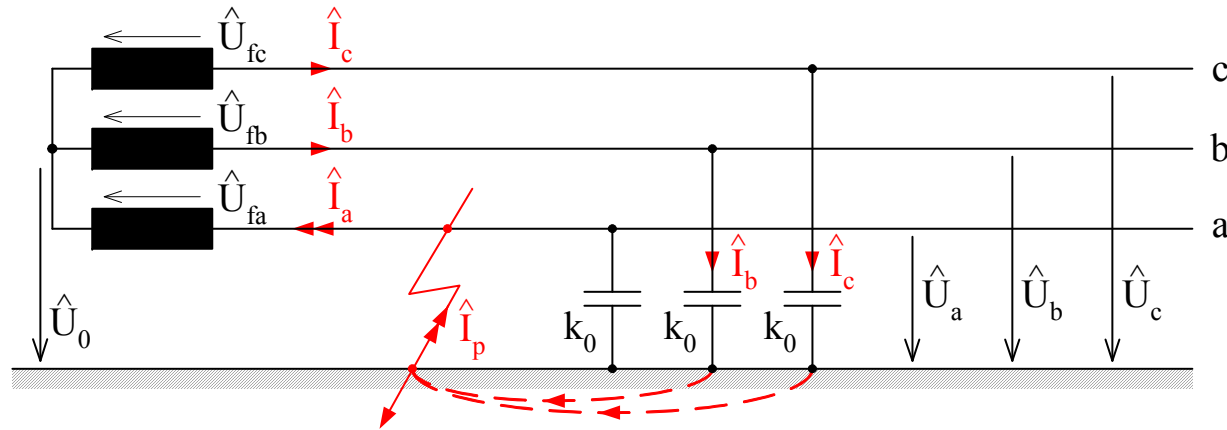
$$U_0 = 573 \text{ V} \quad (4,5 \%)$$

$$U_a = U_c = 12425 \text{ V}$$

$$U_b = 13275 \text{ V}$$

Perfect (metal) durable ground fault

Symmetrical system



Fault current composed of 2 capacitive currents in the disaffected phases.

$$\hat{U}_a = 0$$

$$\hat{I}_p = \hat{I}_a = \hat{I}_b + \hat{I}_c$$

$$\hat{I}_b = j\omega k_0 \hat{U}_b \quad \hat{I}_c = j\omega k_0 \hat{U}_c$$

$$\hat{U}_a - \hat{U}_0 - \hat{U}_{fa} = 0 \quad \Rightarrow \quad \hat{U}_0 = -\hat{U}_{fa} \quad !$$

$$\hat{U}_b - \hat{U}_0 - \hat{U}_{fb} = 0 \quad \Rightarrow \quad \hat{U}_b = \hat{U}_0 + \hat{U}_{fb} = (-1 + \hat{a}^2)\hat{U}_{fa} = -\sqrt{3}e^{j30^\circ}\hat{U}_{fa} !$$

$$\hat{U}_c - \hat{U}_0 - \hat{U}_{fc} = 0 \quad \Rightarrow \quad \hat{U}_c = \hat{U}_0 + \hat{U}_{fc} = (-1 + \hat{a})\hat{U}_{fa} = -\sqrt{3}e^{-j30^\circ}\hat{U}_{fa} !$$

→ affected phase voltage – zero

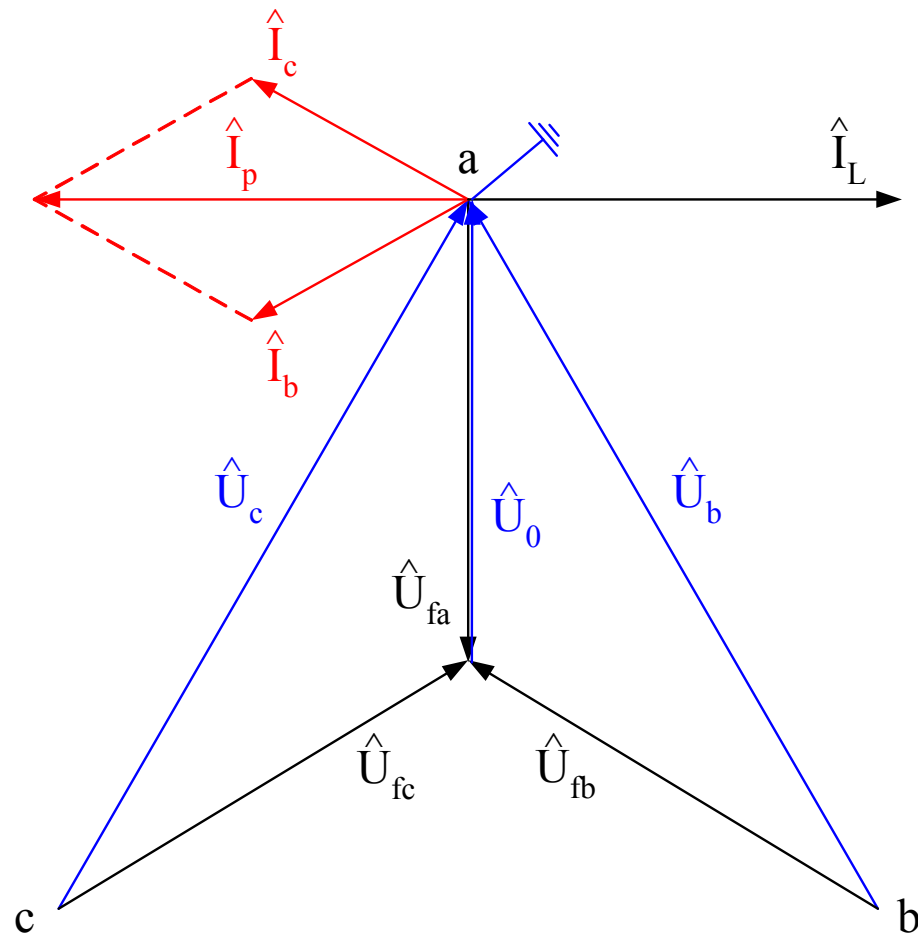
neutral point voltage – phase-to-ground value

disaffected phases voltage – phase-to-phase value

Ground fault current

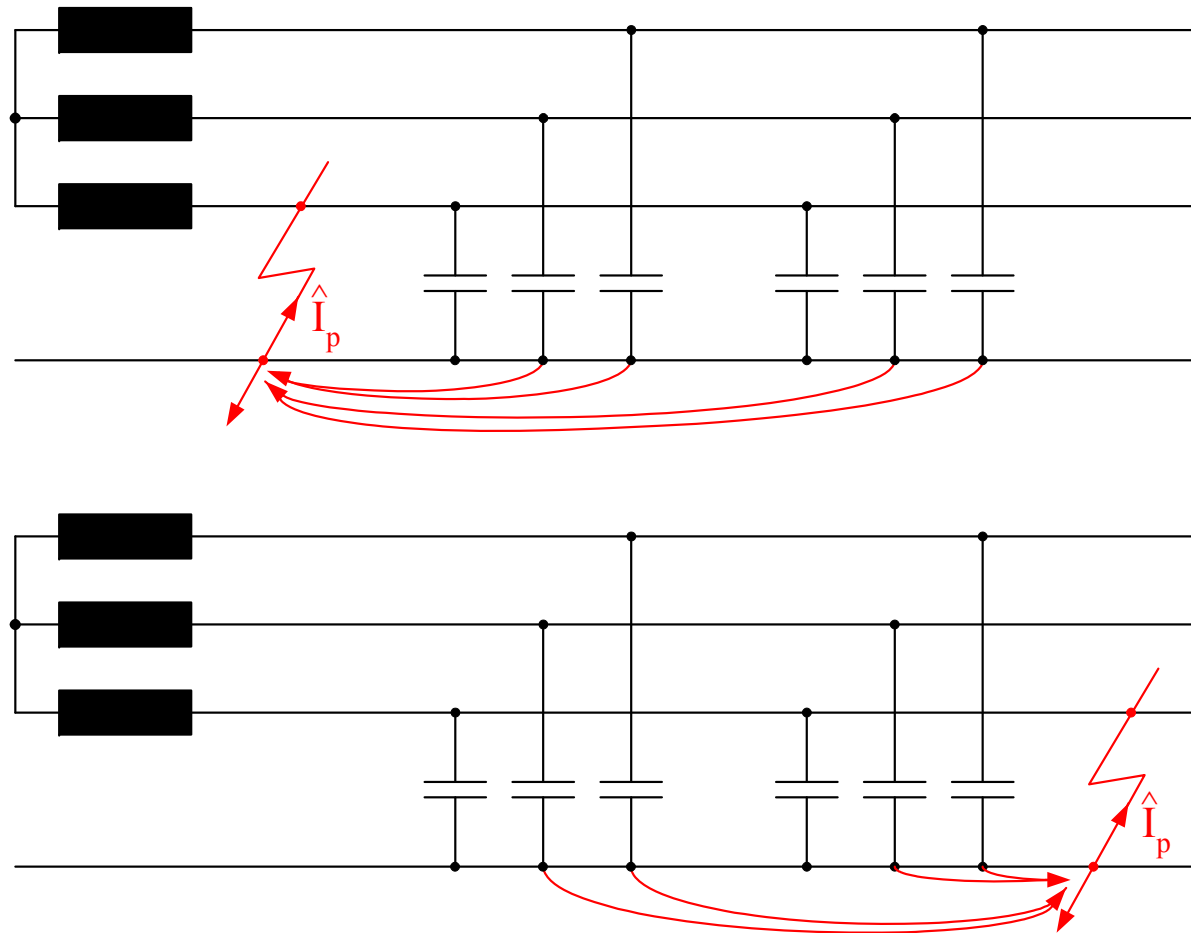
$$\begin{aligned} \hat{I}_p &= \hat{I}_b + \hat{I}_c = j\omega k_0 (\hat{U}_b + \hat{U}_c) \\ &= j\omega k_0 [(-1 + \hat{a}^2) + (-1 + \hat{a})]\hat{U}_{fa} \\ &= j\omega k_0 (-2 + \hat{a}^2 + \hat{a} + 1 - 1)\hat{U}_{fa} \\ \hat{I}_p &= -3j\omega k_0 \hat{U}_{fa} = 3j\omega k_0 \hat{U}_0 \quad (\text{A}; \text{s}^{-1}, \text{F}, \text{V}) \end{aligned}$$

Voltage and current conditions



Fault current depends on the total system extent and almost doesn't depend on the fault point distance from the transformer.

$$I_p = 3\omega k_{01} l U_f \quad (\text{A}; \text{s}^{-1}, \text{F} / \text{km}, \text{km}, \text{V})$$



Note: overhead 22 kV – current c. 0,06 A/km
cables 22 kV – current c. 4 A/km

Note: MV system can be operated also with GF, on LV level again 3-phase supplying due to transformers MV/LV D/yn (Y/zn)

Talon

$$I_{pa} = I_{pc} = 2,44 \text{ A}$$

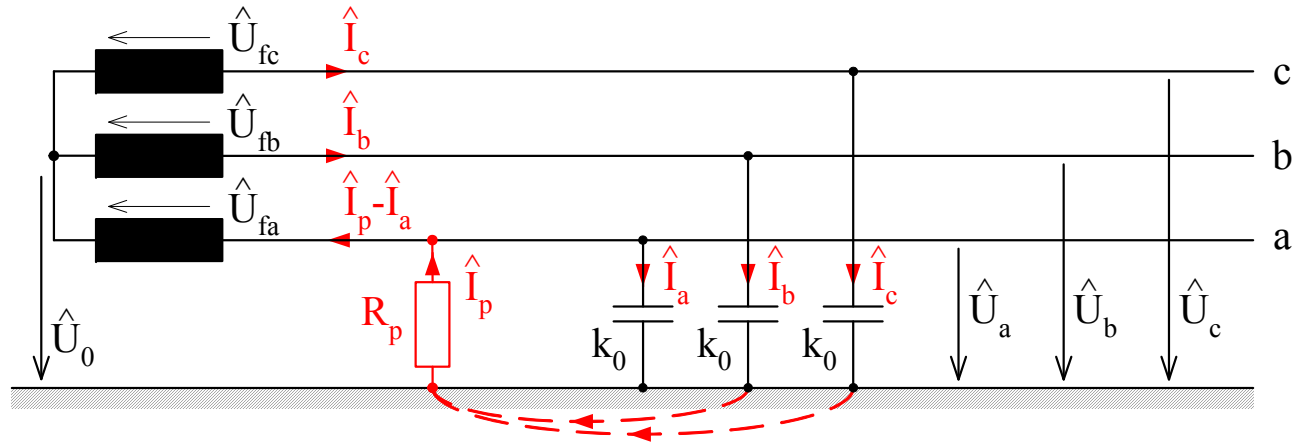
$$I_{pb} = 2,49 \text{ A}$$

Horizontal

$$I_{pa} = I_{pc} = 2,51 \text{ A}$$

$$I_{pb} = 2,68 \text{ A}$$

Resistive ground fault



Affected phase voltage non-zero

$$\hat{I}_p = -\hat{U}_a / R_p = \hat{I}_a + \hat{I}_b + \hat{I}_c$$

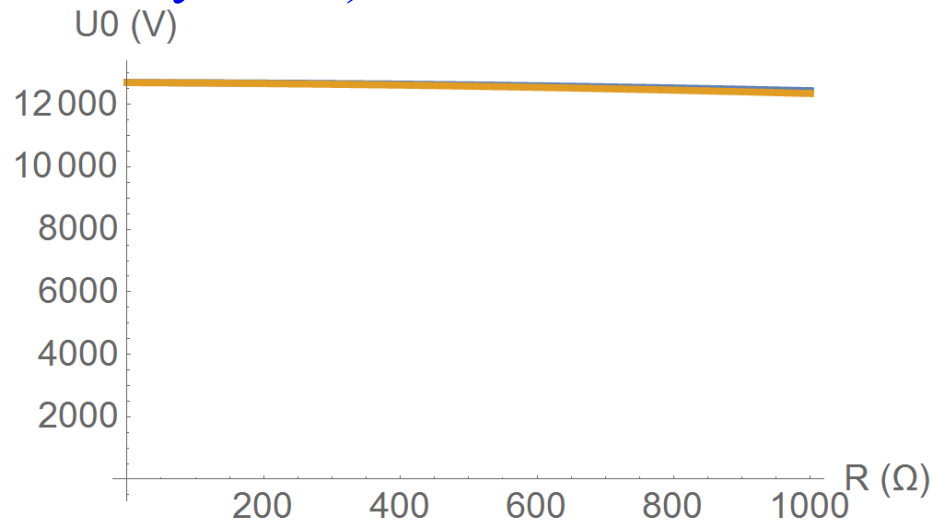
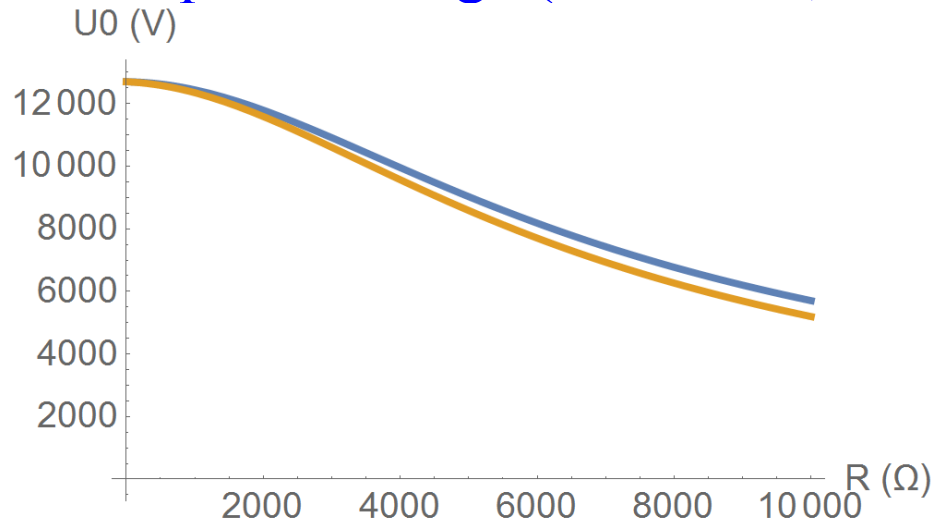
Neutral point voltage

$$\hat{U}_0 = -\frac{j\omega(k_{a0} + \hat{a}^2 k_{b0} + \hat{a} k_{c0}) + R_p^{-1}}{j\omega(k_{a0} + k_{b0} + k_{c0}) + R_p^{-1}} \hat{U}_{fa}$$

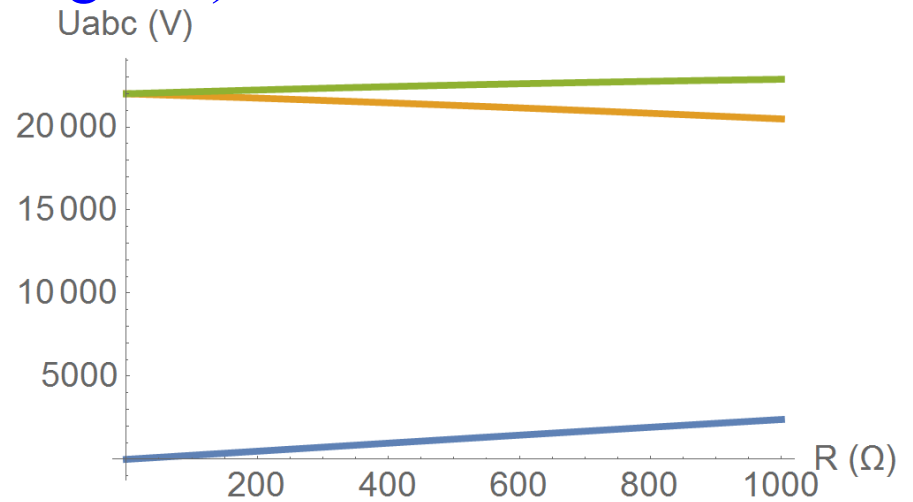
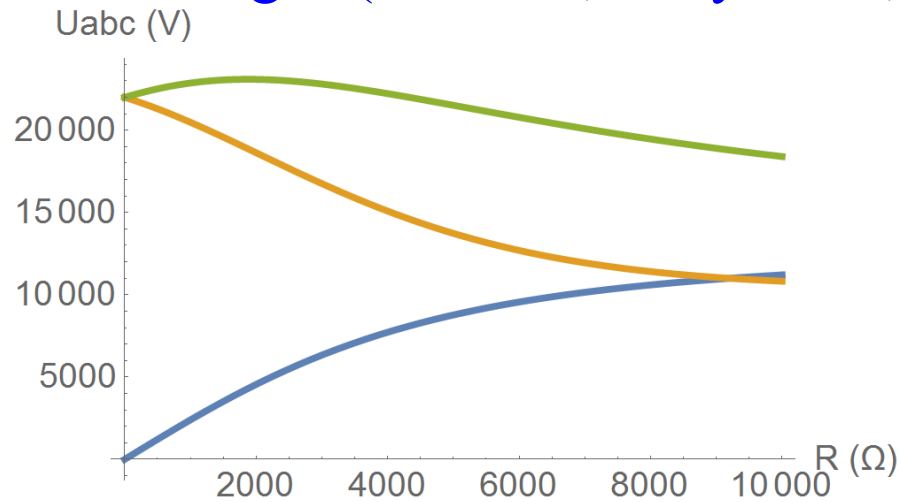
$$R_p = 0 \quad \hat{U}_0 = -\hat{U}_{fa}$$

$$R_p = \infty \quad \hat{U}_0 = 0 \quad (\text{for symmetrical capacities})$$

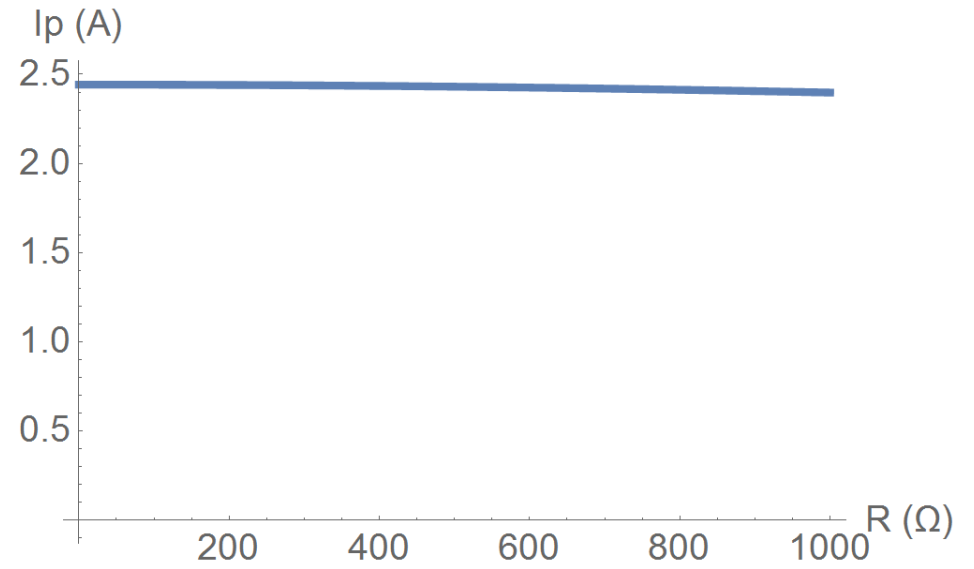
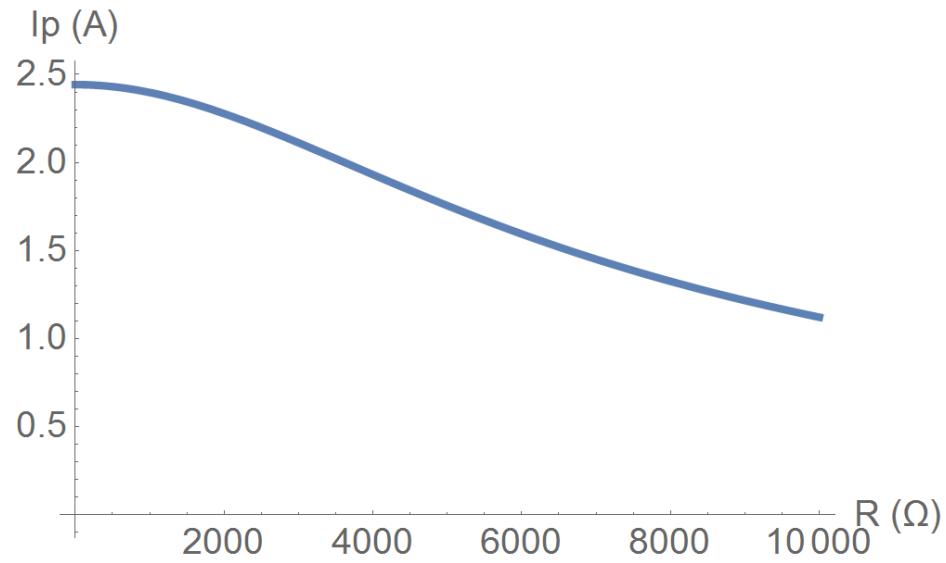
Neutral point voltage (talon blue, horizontal yellow)



Phase voltages (A - blue, B - yellow, C - green) - talon



Fault current – talon, phase A

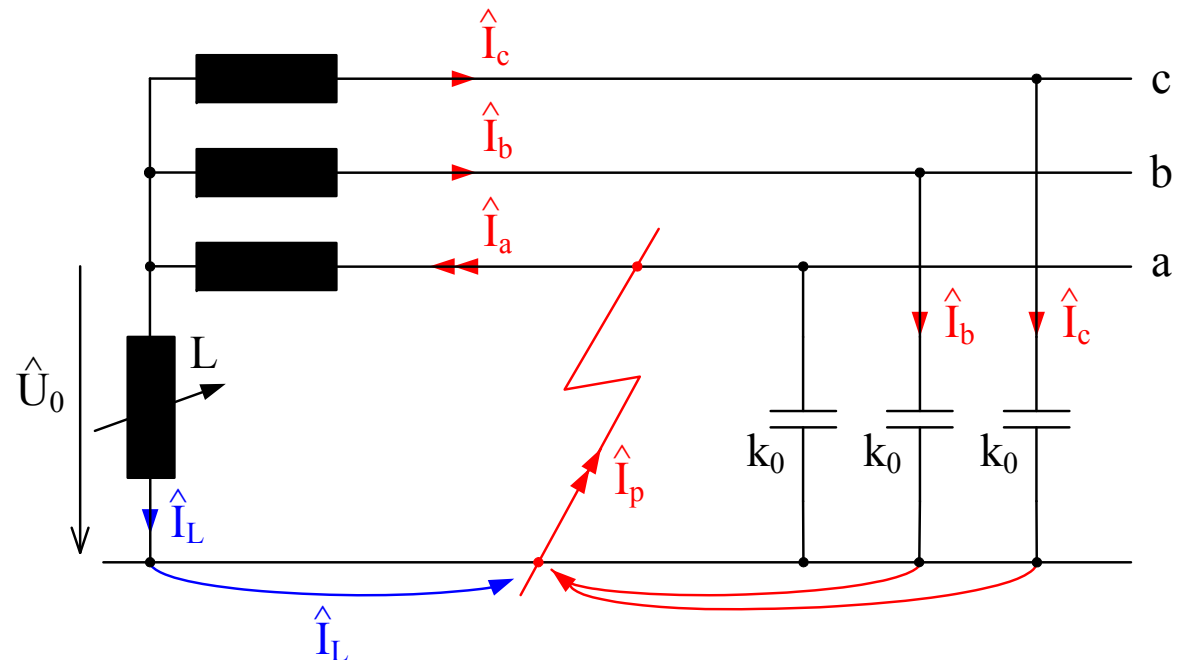


Ground fault current compensation

Compensation in systems where $I_p > 5A$ - suitable

$I_p > 10A$ - necessary

Method: continuously controlled arc-suppression coil (Petersen coil) between the transformer neutral point and the ground (in case of transformers with D winding by means of grounding transformer with Zn, Yn – artificial neutral point)



Faultless state

$$U_0 = 0 \quad - \text{symmetrical capacities}$$

$$U_0 \approx x \cdot 0,01 U_f \quad - \text{usual unbalance}$$

Perfect ground fault

$$\hat{U}_0 = -\hat{U}_{fa}$$

Arc-suppression coil current

$$\hat{I}_L = -j \frac{\hat{U}_0}{\omega L}$$

Total compensation

$$\hat{I}_L = -\hat{I}_p$$

$$-j \frac{\hat{U}_0}{\omega L} = -3j\omega k_0 \hat{U}_0$$

Hence

$$\underline{L = \frac{1}{3\omega^2 k_0} \quad (\text{H; s}^{-1}, \text{F})}$$

Coil power (reactive inductive)

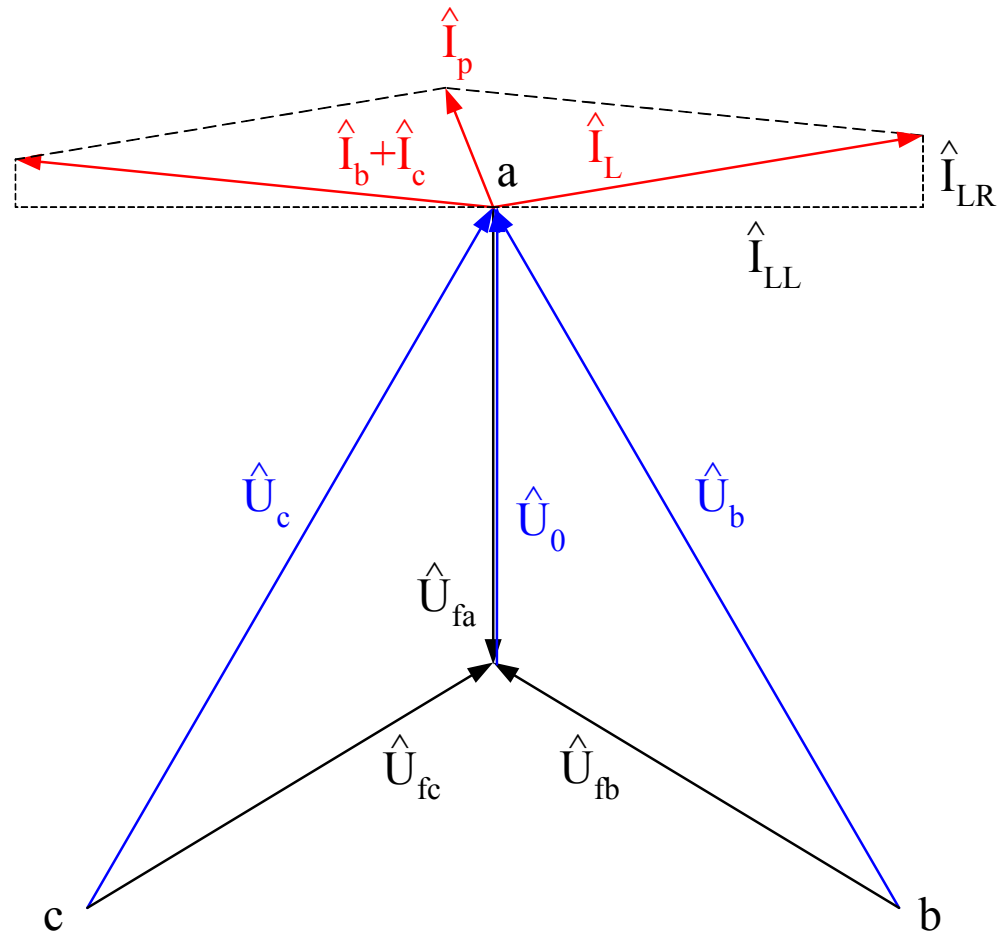
$$\hat{S} = \hat{U}_0 \hat{I}_L^* = 3j\omega k_0 \hat{U}_0 \hat{U}_0^* = j\omega k_0 U^2 = Q_L$$

Ideal compensation: $I_p = 0$ in the fault point

Real situation: residual current (small active)

- inaccurate inductance setting (error or intention)
- uncompensatable active component (power line conductance, coil R)
- higher harmonics

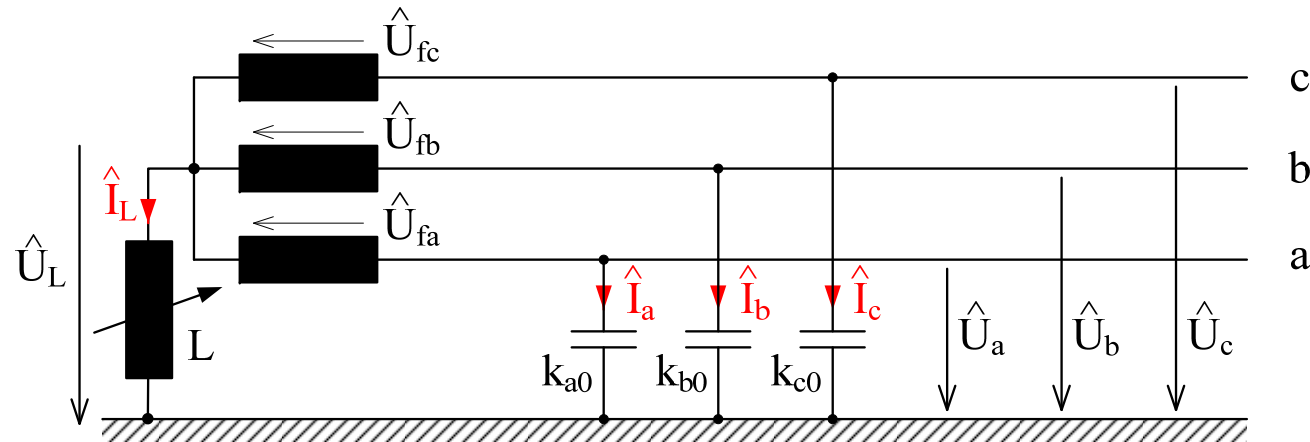
$$\hat{I}_p = \left[\frac{1}{R_L} + 3G_0 + j \left(3\omega k_0 - \frac{1}{\omega L} \right) \right] \hat{U}_0$$



Arc-suppression coil tuning

L dimensioning by calculation, setting in the faultless state (for given system configuration).

Tuning is done by magnetic circuit change by means of motor (air gap).



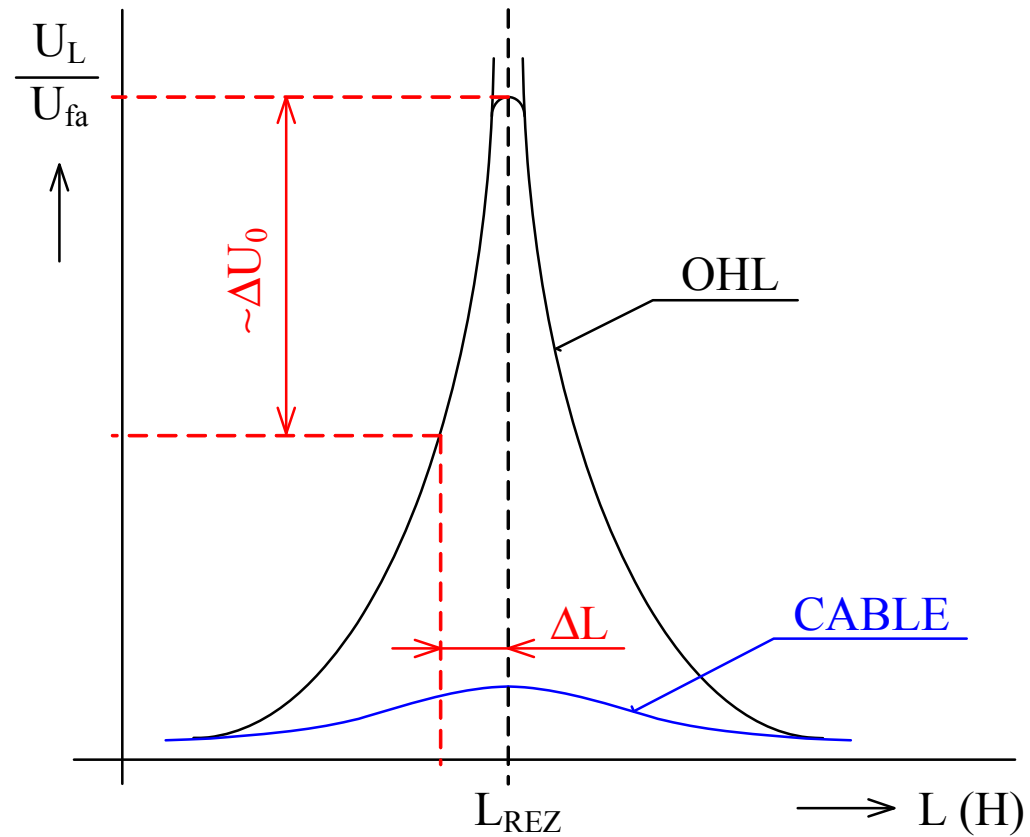
Coil voltage

$$\hat{U}_L = \frac{-\omega^2 L (k_{a0} + \hat{a}^2 k_{b0} + \hat{a} k_{c0})}{\omega^2 L (k_{a0} + k_{b0} + k_{c0}) - 1} \hat{U}_{fa}$$

Resonance dependence

$$\left| \frac{U_L}{U_{fa}} \right| = f(L)$$

$$L_{\text{REZ}} = \frac{1}{\omega^2 (k_{a0} + k_{b0} + k_{c0})}$$



Overhead power lines

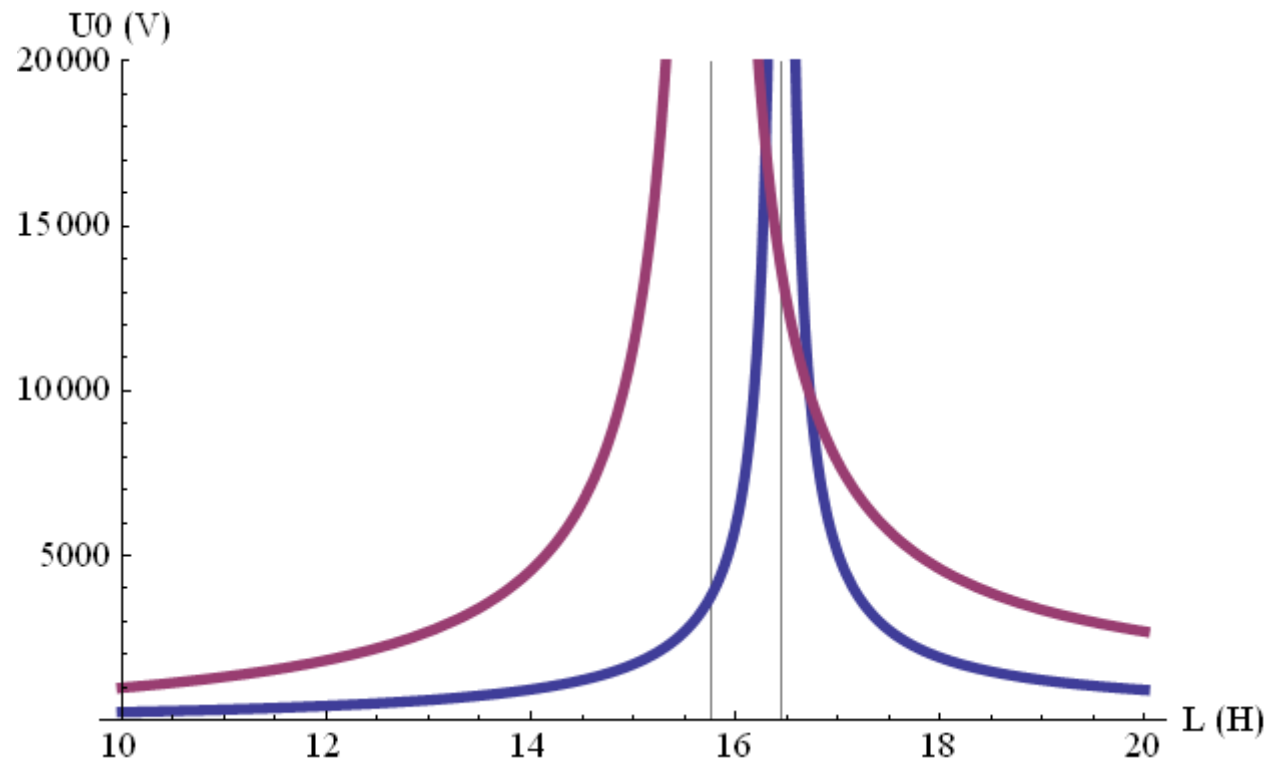
- higher capacitive unbalance
- maximum limited by resistances
- L_{REZ} compensates GF totally → resonance coil
- setting by U_L measurement
- with small R the transformer neutral point is strained too much in resonance → intended (small) detuning → dissonance coil

Cable power lines

- small capacitive unbalance → flat curve → difficult tuning



Neutral point voltage (talon blue, horizontal violet)



talon

$$L_{REZ} = 16,45 \text{ H}$$

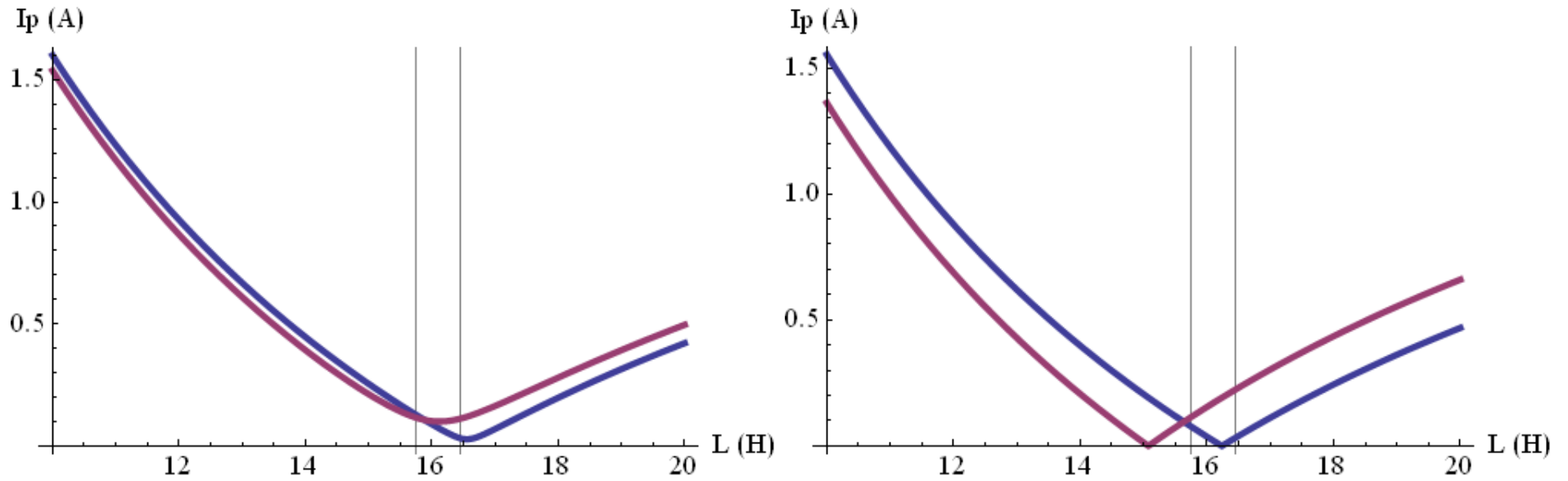
horizontal

$$L_{REZ} = 15,76 \text{ H}$$

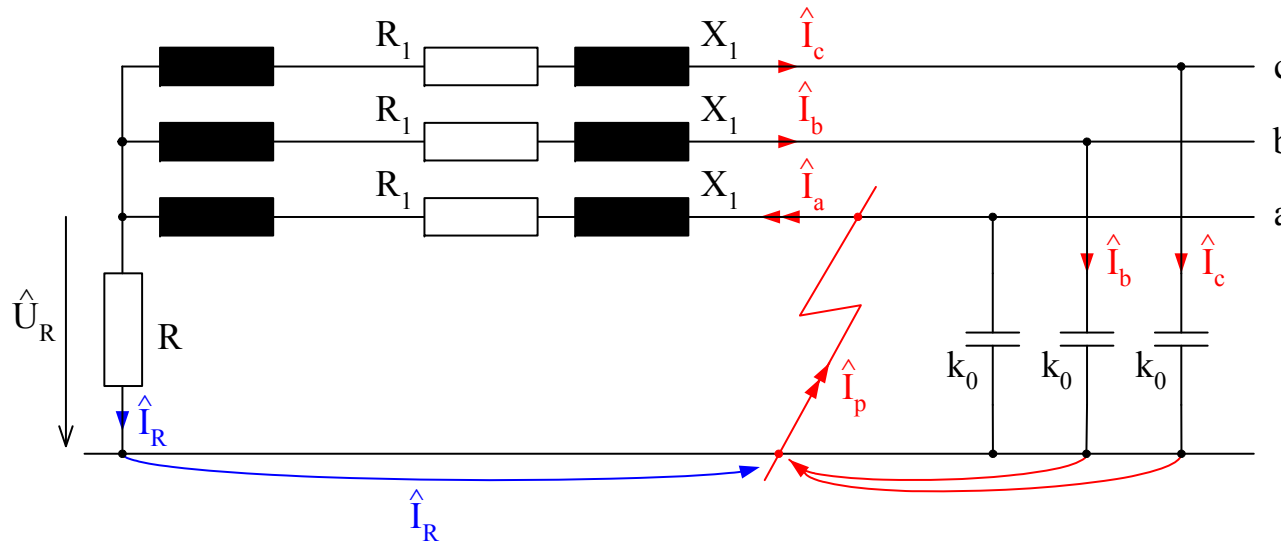
Fault current for coil detuning (talon blue, horizontal violet)

phase A

phase B



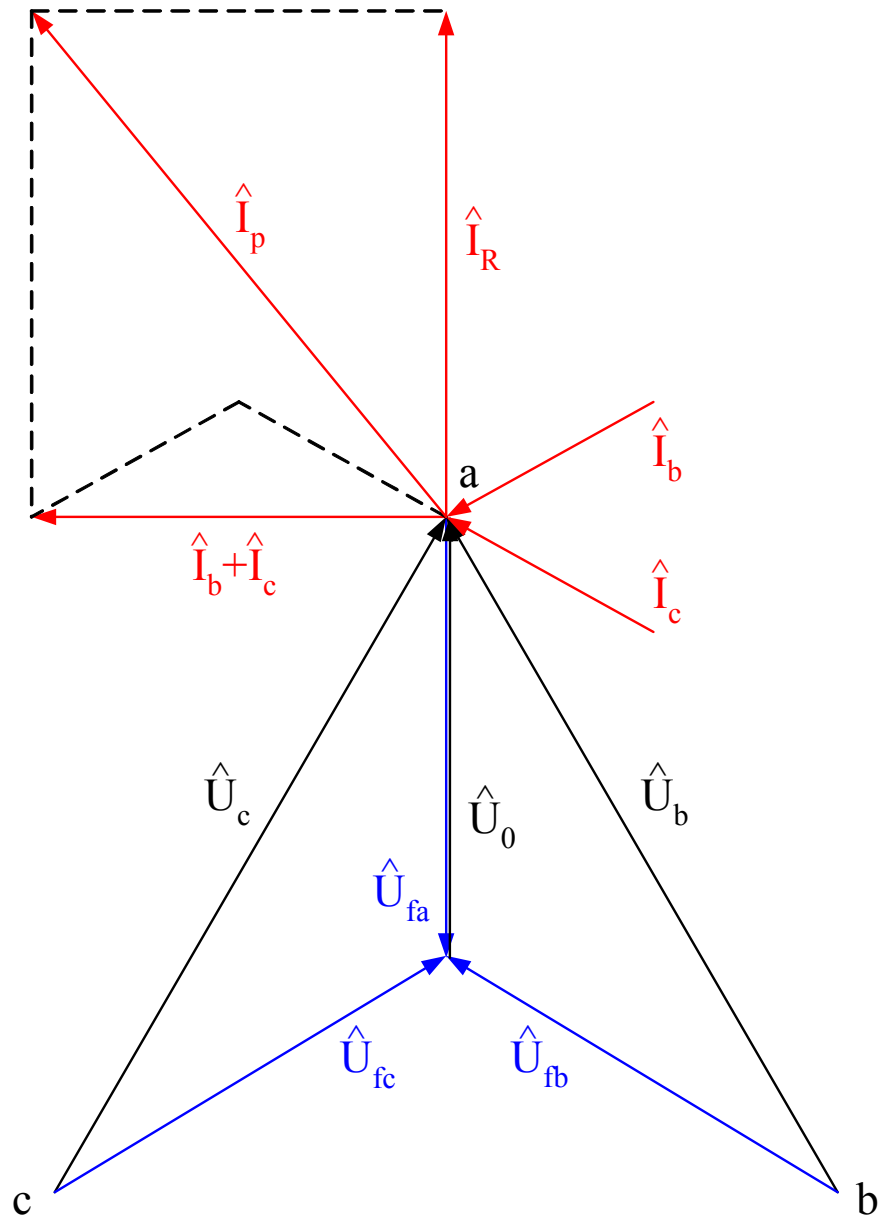
Cable systems grounded with the resistance



During the fault

- neutral point voltage almost phase-to-ground value
- I_p uncompensated
- I_p depends on the system extent x decreases with the distance from the transformer (short-circuit character)
- R value choice can influence I_p size and character

$$\hat{I}_p = -(1/R + j3\omega k_0)U_f$$



Neutral point voltage in a faultless state

($k_{b0} = (1 - \Delta)k_{c0}$; $k_{a0} = k_{c0} = 50 \cdot 4 \text{ nF / km} \cdot 50 \text{ km}$)

$$R_{uz} = 20 \Omega$$

